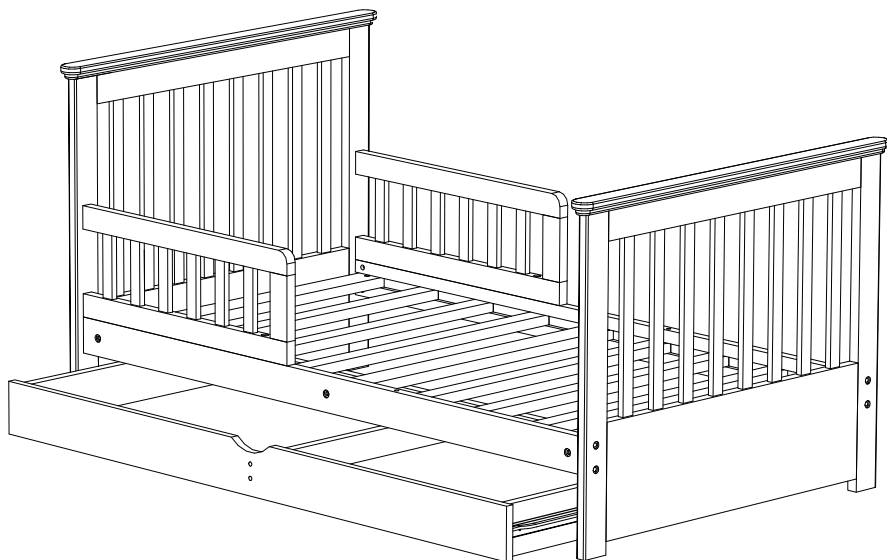


today's★kid™



# MISSION TODDLER BED

## WITH DRAWER

Model Numbers  
40801 / 40802 / 40803

# ASSEMBLY INSTRUCTIONS



# WARNING

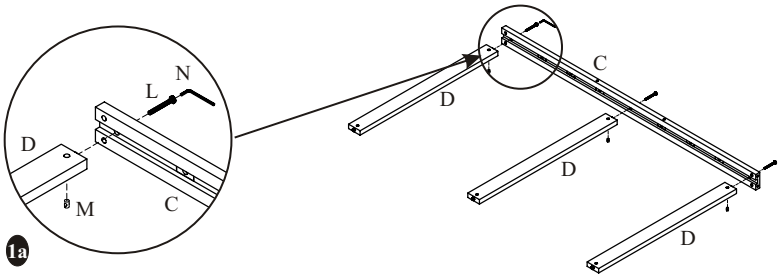


**FAILURE TO FOLLOW THESE WARNINGS AND ASSEMBLY INSTRUCTIONS COULD RESULT IN SERIOUS INJURY OR DEATH!**

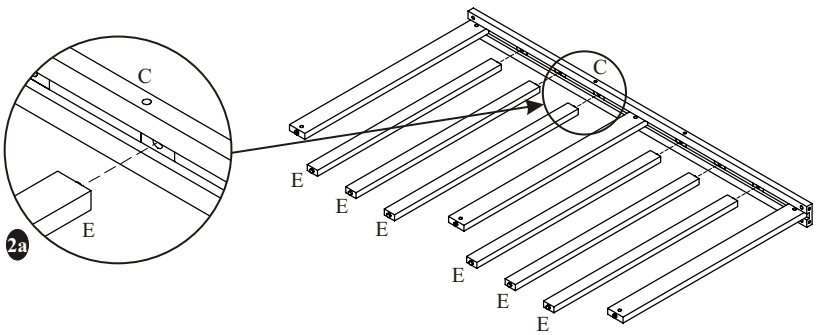
- **READ INSTRUCTIONS BEFORE** assembling bed. **KEEP INSTRUCTIONS FOR FUTURE USE.** Do not use this bed if the instructions can not be strictly followed.
- Caution: Any mattress used on this bed must be at least 27-1/4 inches (69 cm) by 51-5/8 inches (131 cm) with thickness not exceeding 4 inches (10 cm).
- The minimum age shall not be less than 15 months and the maximum weight shall not be greater than 50lbs (22.7kg).
- Do not use a water mattress with this bed.

## **Cleaning and Care for your Toddler Bed**

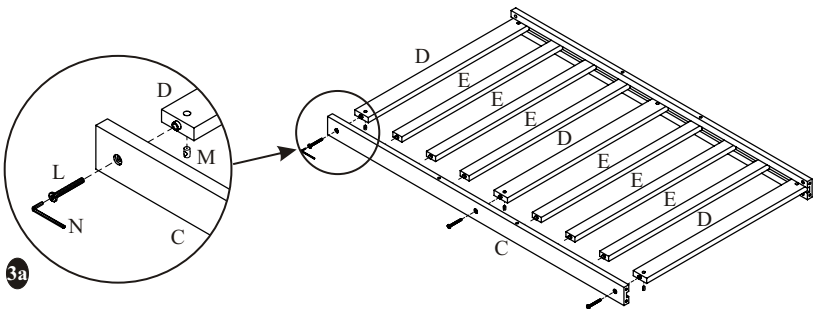
To clean bed, use only mild household soap and warm water. Do not use bleach or detergent. Do not use abrasive cleaners which can scratch the finish of the bed. Use clean soft cloths to wash, rinse and dry. With proper care, the quality finish will last a long time. Wood surfaces may be treated with light application of a good grade of non-toxic furniture polish.

**1**

- Connect **Mattress Mullions (D)** to the middle and each ends of one **Mattress Support Rail (C)** using **6 mm Barrel Nuts (M)** and **6 x 60 mm Allen Head Bolts (L)**, tighten bolts using **Allen Key (N)** as shown in **1a**.

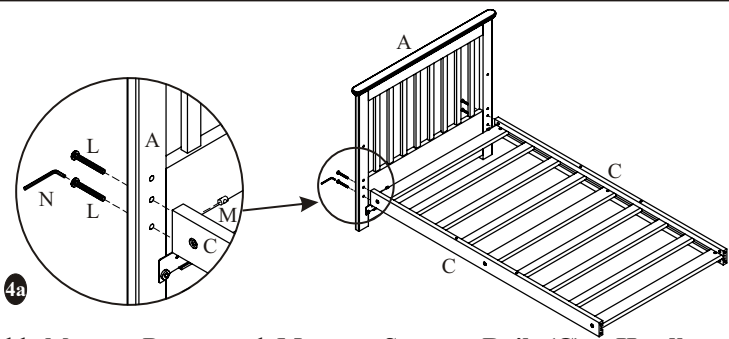
**2**

- Attach **Mattress Slats (E)** to the grooving on **Mattress Support Rail (C)** as shown in **2a**. **Please note:** Dowel end should fit into hole in the groove.

**3**

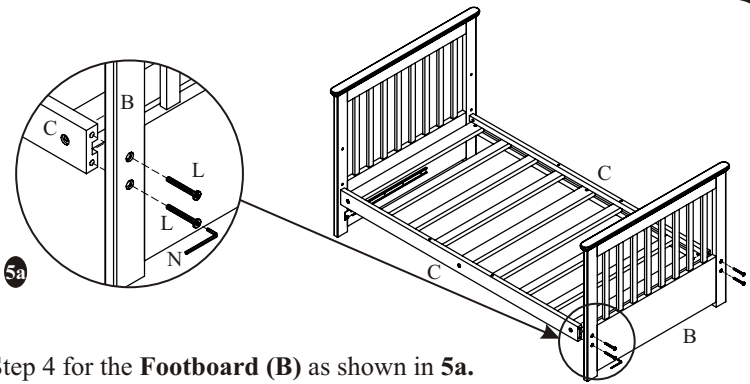
- Connect the other **Mattress Support Rail (C)** to the **Mattress Mullions (D)** using **6 mm Barrel Nut (M)** and **6 x 60 mm Allen Head Bolts (L)**, tighten bolts using **Allen Key (N)** as shown in **3a**.
- Make sure **Mattress Slats (E)** are connected to the grooving on **Mattress Support Rail (C)**. (See figure 2a)

4



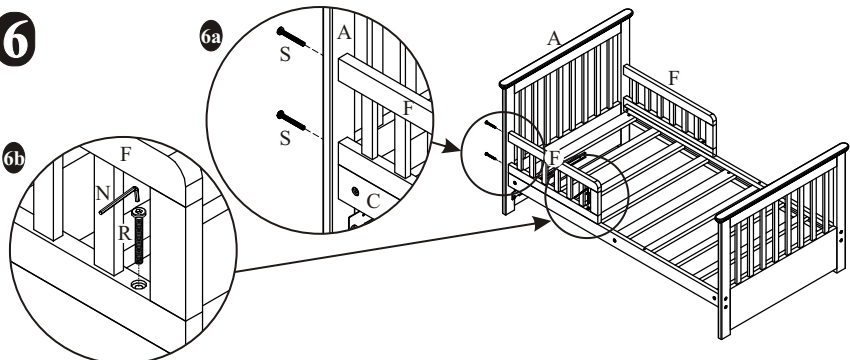
- To assemble Mattress Base, attach **Mattress Support Rails (C)** to **Headboard (A)** using **6mm Barrel Nut (M)** and **6 x 60mm Allen Head Bolts (L)**, tighten bolts using **Allen Key (N)** as Shown in 4a.

5

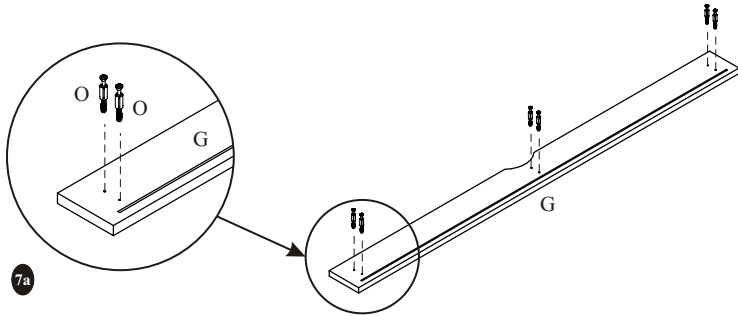


- Repeat Step 4 for the **Footboard (B)** as shown in 5a.

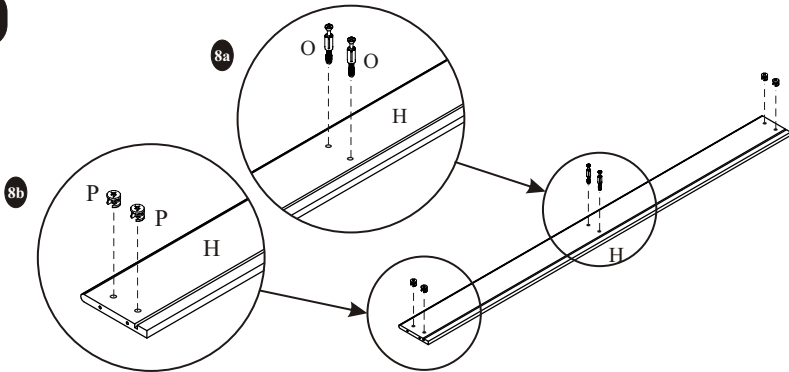
6



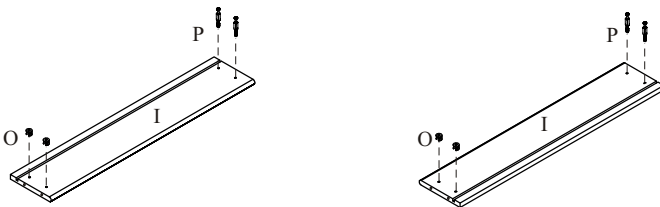
- To assemble the **Safety Rail (F)**, connect the top and bottom rail to **Headboard (A)** using **6 x 38 mm Allen Head Bolts (S)** as shown in 6a.
- **DO NOT** over tighten bolts.
- Bolt bottom Side Rail into **Mattress Support Rail (C)** using **6 x 45mm Allen Head Bolt (R)** as shown in 6b. Tighten all bolts using **Allen Key (N)**.
- Repeat for the other Safety Rail.

**7**

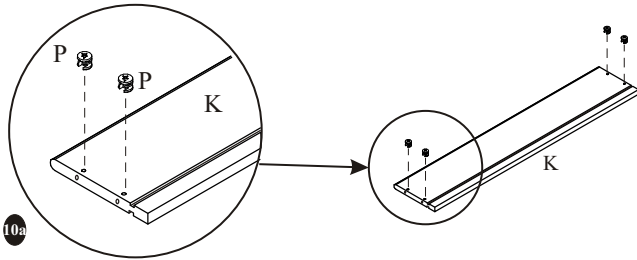
- Place **Drawer Front Panel (G)** flat on the floor with the holes facing up. Thread **6 Cam Bolts (O)** into the pre-drilled holes provided as shown in **7a**.

**8**

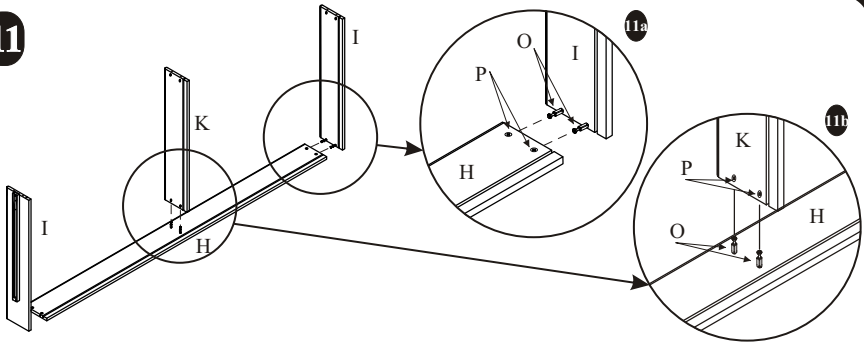
- Place **Drawer Back Panel (H)** flat on the floor with the holes facing up. Thread **2 Cam Bolts (O)** into center of the **Drawer Back Panel (H)** as shown in **8a** and insert **4 Cams (P)**, 2 on each end as shown in **8b** making sure the arrows on top are pointing to the short edge.

**9**

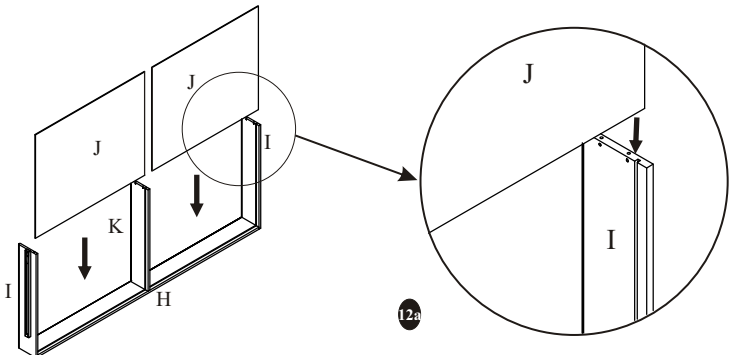
- Lay the **Drawer Left/Right Panels (I)** flat on the floor with holes facing up. Thread **2 Cam Bolts (O)** into Left Panel and insert **2 Cams (P)** into other end. **Please Note:** Each side panel is different as the holes for the Cams and Bolts are both different in size. The hole for the Cams is the larger of the 2.
- Repeat the same procedure on the other **Right Panel** as shown in **9**.

**10**

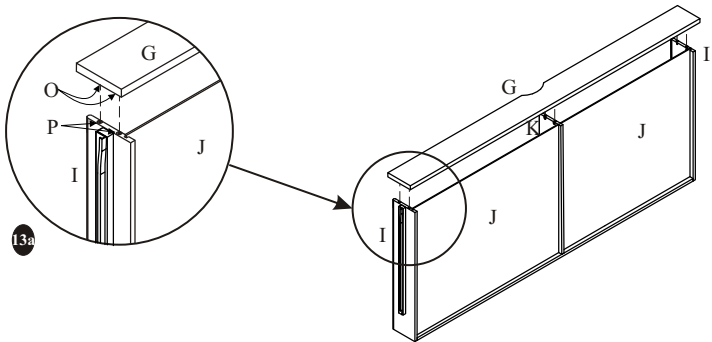
- Inserts 4 Cams (P) into holes of Drawer Divider (K). Make sure all cam arrows are pointing to the end of the panel, as shown in 10a.

**11**

- Attach Drawer Left (I) to the Drawer Back Panel (H) by inserting the Cam Bolts (O) to the end holes of the Drawer Back Panel (H) as shown in 11a.
- Make sure the grooves line up and face inside.
- Lock the Cams (P) in the Drawer Back Panel (H) by turning them clockwise about  $\frac{1}{2}$  a turn. Repeat for the Right Panels (I).
- Attach Drawer Divider (K) to the center of the Drawer Back Panel (H), in the same way as shown in 11b.

**12**

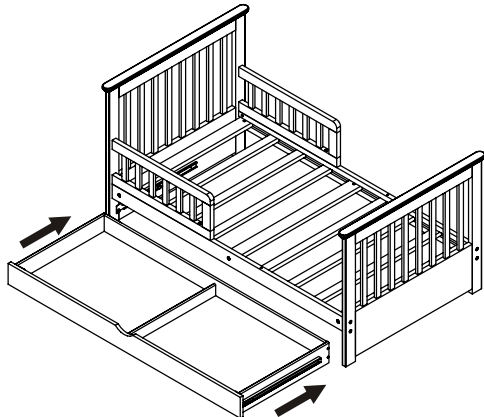
- Slide Drawer Bottom Panels (J) painted side up, into grooves of Drawer Side Panels (I), Drawer Divider (K) and Drawer Back Panels (H) as shown in 12a.

**13**

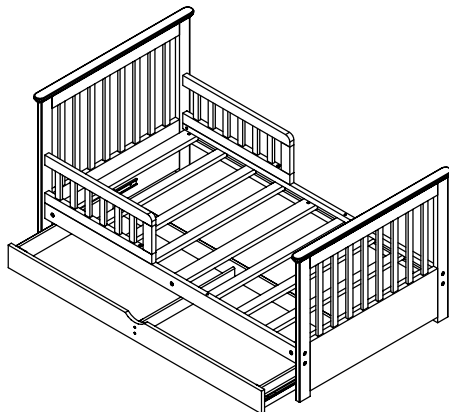
- Attach **Drawer Front Panel (G)** by inserting **Cam Bolts (O)** into their corresponding cam bolt holes on ends of **Drawer Side Panels (I)** and **Drawer Divider (K)**. Make sure the **Drawer Bottom Panels (J)** are also inserted into grooves of **Drawer Front Panel (G)**.
- **Lock cams (P)** by turning them clockwise.

**14**

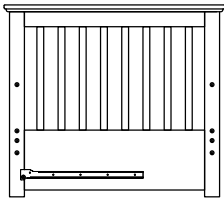
- Line up the drawer with the wheels and metal tracks on each side.
- With the front slightly elevated, slide into the track on the bed, lowering the front as it rolls into place under the Toddler Bed.

**15**

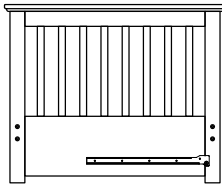
- Congratulations, your Mission Toddler Bed with Drawer is ready to use.



## Component Parts



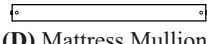
**(A)** Headboard  
(1 pc)



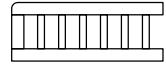
**(B)** Footboard  
(1 pc)



**(C)** Right/Left Mattress Support Rails  
(2 pcs)



**(D)** Mattress Mullions  
(3 pcs)



**(F)** Safety Rails  
(2 pcs)



**(E)** Mattress Slats  
(6 pcs)



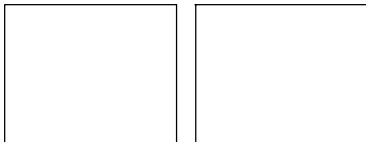
**(G)** Drawer Front Panel  
(1 pc)



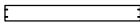
**(H)** Drawer Back Panel  
(1 pc)



**(I)** Drawer Left/Right Panels  
(2 pcs)

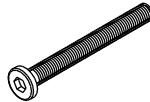


**(J)** Drawer Bottom Panels  
(2 pcs)



**(K)** Drawer Divider  
(1 pc)

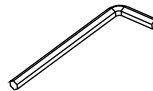
## Assembly Hardware Set Set #08-05004



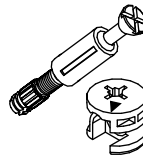
**(L)** 6 x 60 mm Allen  
Head Bolt  
Part #07-05012  
(14 Pcs)



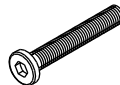
**(M)** 6 mm Barrel Nut  
Part #07-98001  
(14 Pcs)



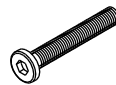
**(N)** 4 mm Allen Key  
Part #07-00001  
(1 Pc)



**(O)** Cam Bolts  
**(P)** Cams  
Part #07-07008  
(12 Sets)



**(R)** 6 x 45 mm Allen  
Head Bolt  
Part #07-05024  
(2 Pcs)



**(S)** 6 x 38 mm Allen  
Head Bolt  
Part #07-05020  
(4 Pcs)

today's kid™

360 Stewart Road  
Wilkes-Barre, PA 18706

www.BabyAge.com  
1-800-BabyAge

MADE IN CHINA

Print Ref. # AIM-13-3500-AGE