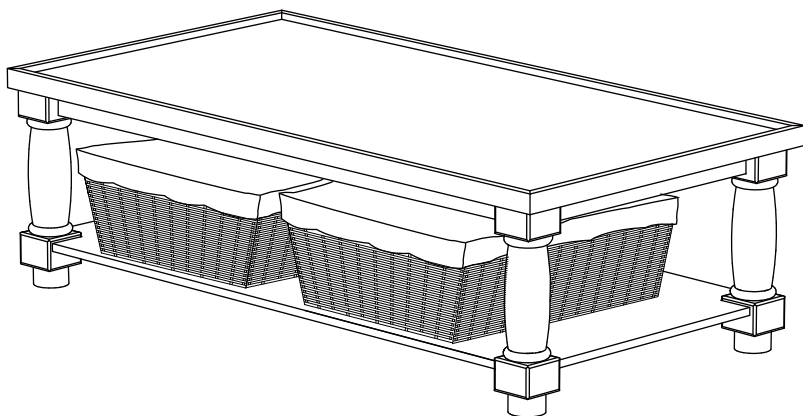


# today's•tot®

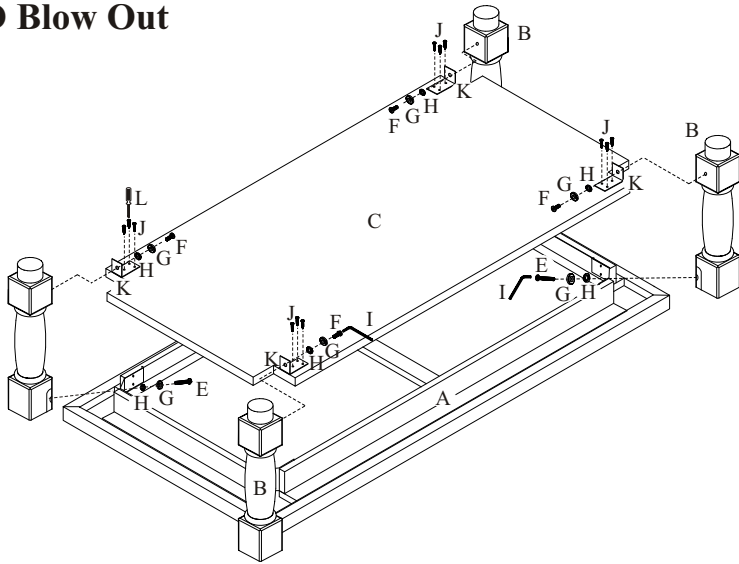
## *cornwall play table* *assembly instructions*



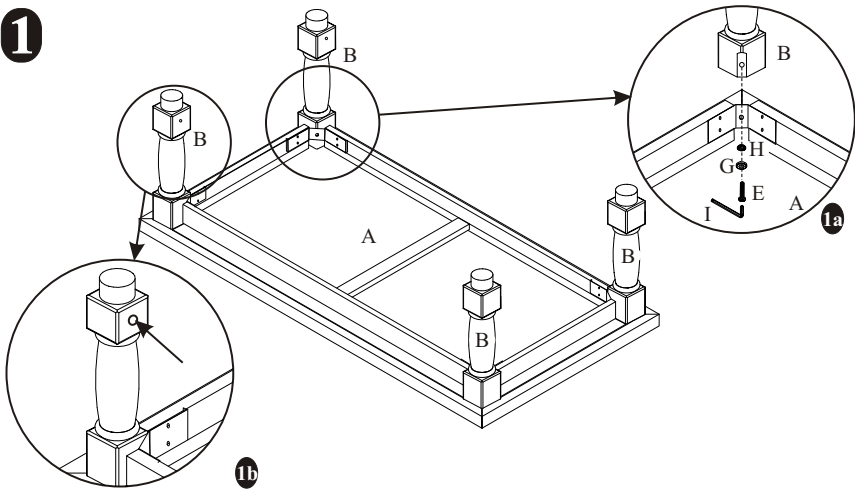
### **WARNING** **CAUTION**

- Do not use this product as a step stool to reach high objects.
- Do not let children stand or play on top of this product as it may move and cause the child to fall and possibly injure themselves.
- Periodically check the safety of your product by making certain all screws, bolts, and washers are tightened securely.
- Wash with mild soap and a damp cloth. Do not use abrasives.

## 3D Blow Out

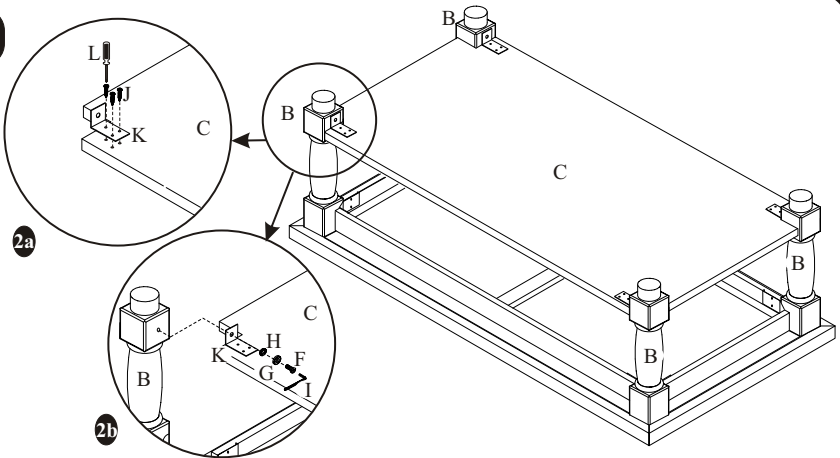


**1**

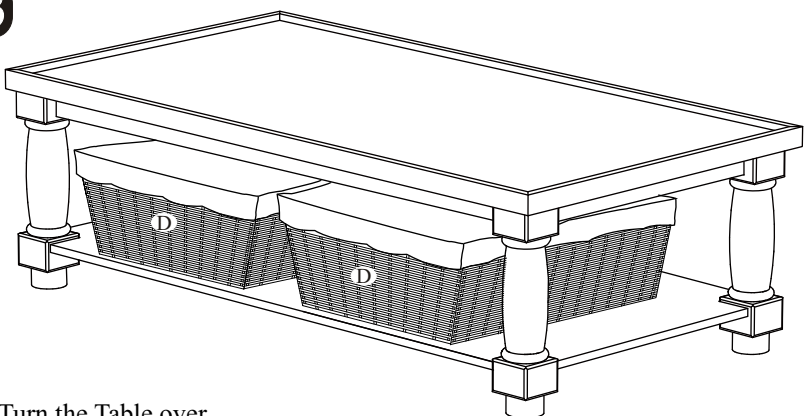


- **To Assemble Table:** Place table upside down on a level surface.
- Connect the **Leg (B)** to the **Table Top (A)** by bolting through bracket on the corner using **6 x 40mm Allen Head Bolt (E)**, **6 x 12mm Washer (G)** and **6 x 10mm Washer (H)**. Tighten bolt using **Allen Key (I)** as shown in **1a**.
- Repeat for other **Legs (B)**.

**Please note:** In each leg there is a pilot hole for the shelf bracket screw and this hole needs to face the direction of the long side as shown in **1b**.

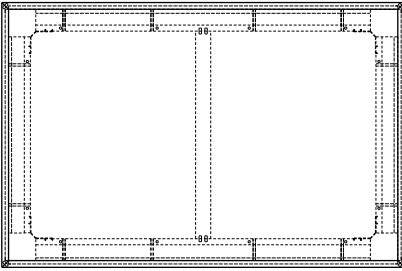
**2**

- Attach **Metal Brackets (K)** to the under side of **Shelf Panel (C)** corners using **13mm Cone Wood Screws (J)**, tighten screws using **Screwdriver (L)** as shown in **2a**.
- To assemble **Shelf Panel (C)** to **Legs (B)** keep the table in an upside down position.
- Connect one of the **Metal Brackets (K)** on the corner of **Shelf Panel (C)** to the **Leg (B)**, bolt through using **6 x 17mm Allen Head Bolt (F)**, **6 x 12mm Washer (G)** and **6 x 10mm Washer (H)**. Tighten bolt using **Allen Key (I)** provided as shown in **2b**.
- Repeat for other **Legs (B)**.

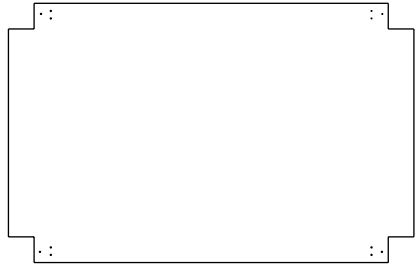
**3**

- Turn the Table over.
- Two **Wicker Baskets (D)** are included with this play table and you may place them on the shelf as shown.
- Congratulations, your new Cornwall Play Table is ready to use.

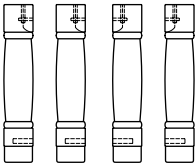
## Component Parts



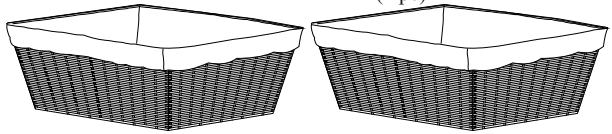
**(A) Table Top**  
(1 pc)



**(C) Shelf Panel**  
(1 pc)



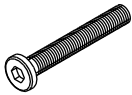
**(B) Legs**  
(4 pcs)



**(D) Wicker Baskets**  
(2 pcs)

**Please note:** Baskets are packed in a separate box and are available on their own should you wish more. Go to [BabyAge.com](http://BabyAge.com) for more info.

## Assembly Hardware Set



**(E) 6 x 40mm**  
Allen Head Bolts  
Part #07-05008  
(4 pcs)



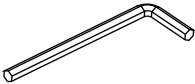
**(F) 6 x 17mm**  
Allen Head Bolts  
Part #07-05036  
(4 pcs)



**(G) 6 x 12mm**  
Metal Washers  
Part #07-20007  
(8 pcs)



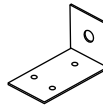
**(H) 6 x 10mm**  
Metal Washers  
Part #07-20008  
(8 pcs)



**(I) Allen Key**  
Part #07-00001  
(1 pc)



**(J) 13mm Cone Wood Screws**  
Part #07-01004  
(12 Pcs)



**(K) Metal Brackets**  
Part #07-43005  
(4 Pcs)



**(L) Screwdriver**  
Part #07-00003  
(1 pc)

today's\***tot**®

360 Stewart Road  
Wilkes-Barre, PA 18706  
[www.BabyAge.com](http://www.BabyAge.com)  
1-800-BabyAge

**MADE IN CHINA**