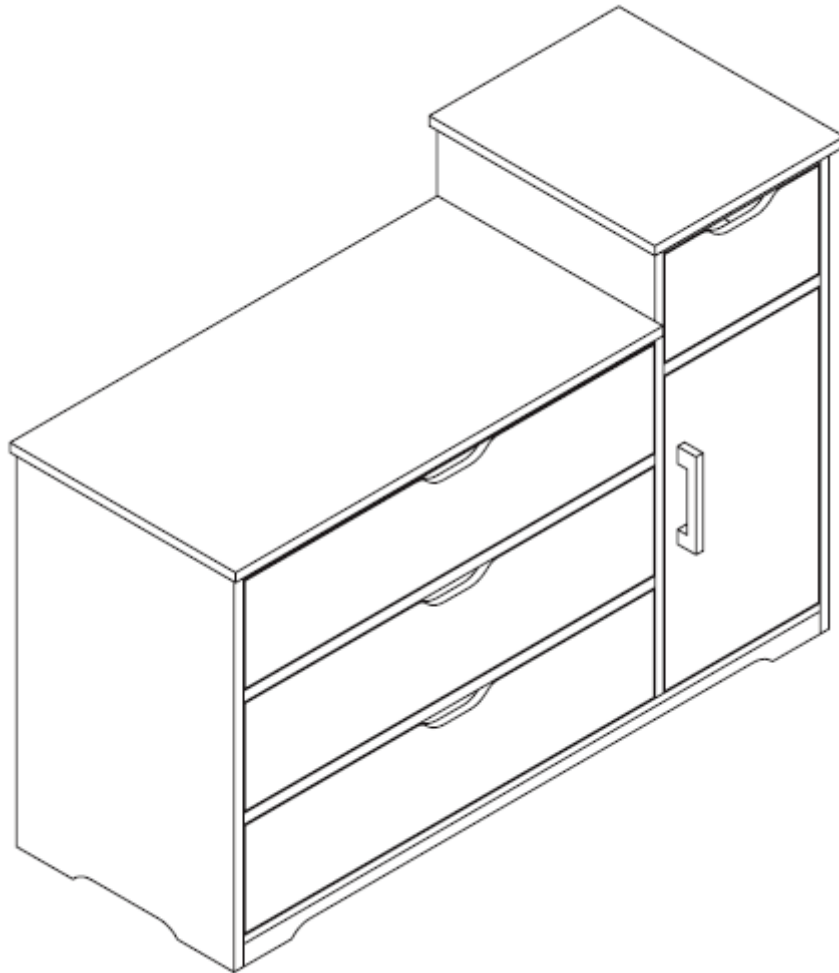


Oggi®



KOSA COMBO CHANGER/DRESSER

Important Information:

Before you begin assembly, please read these directions. See next page for important Warning statements on this product. After product is assembled make sure all bolts and screws are securely tightened.



WARNING



Please read these instructions before use of this product. Failure to follow these warnings and the assembly instructions could result in serious injury or death. Please save manual for future use as it contains important information.

- * Read all instructions before assembling and/or using this product.
- * Keep instructions for future use.
- * **FALL HAZARD** -- To prevent death or serious injury, always keep child within arm's reach.
- * Do not use the drawers if they are damaged or broken.
- * This product contains bolts and other small parts that may present a choking hazard for children 3 years or under. This unit must be assembled by an adult.
- * Wash with mild soap and a damp cloth. Do not use abrasives. Avoid furniture polish that may be hazardous to a child. If refinishing, use a non-toxic finish specified for children's products.
- * Two people will be needed to assemble this unit.

PART LIST



(aa) Combiner Bolt
(18 pcs)



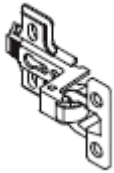
(bb) Combiner Nut
(18 pcs)



(cc) Magnetic Catch
(1 pcs)



(dd) Shelf Bracket
(4 pcs)



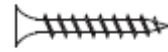
(ee) Door Hinge
(2 pcs)



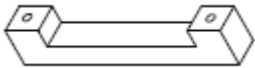
(ff) Allen Key
(1 pcs)



(gg) Barrel Nut
(2 pcs)



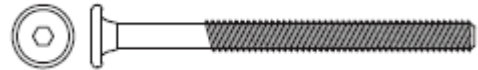
(hh) 30mm Flathead Wood Screw
(40 pcs)



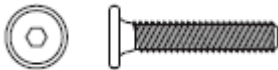
(ii) Door Handle
(1 pcs)



(jj) 22mm Machined Screw
(2 pcs)



(kk) 73mm Bolt
(2 pcs)



(ll) 28mm Bolt
(12 pcs)



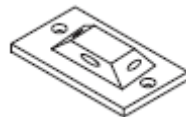
(mm) 15mm Flathead Wood Screw
(8 pcs)



(nn) #8x15mm Panhead Screw
(8 pcs)



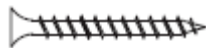
(oo) #6x15mm Panhead Screw
(2 pcs)



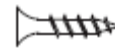
(pp) Anti-Tip Plastic Cover
(2 pcs)



(qq) Anti-Tip Plastic Strip
(1 pcs)



(rr) 38mm Flathead Wood Screw
(2 pcs)



(ss) 20mm Flathead Wood Screw
(2 pcs)

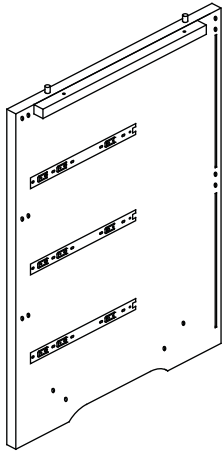


(tt) #6x12mm Panhead Screw
(4 pcs)

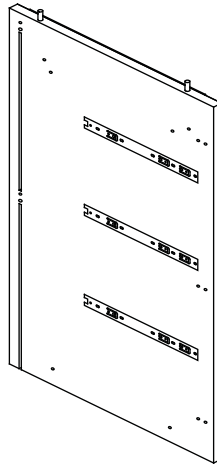


Phillips Head Screwdriver
(Not Included)

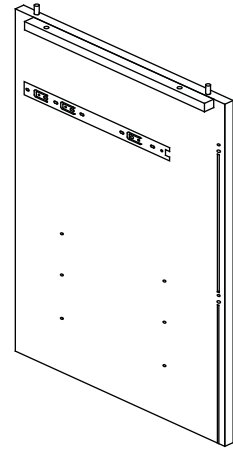
PART LIST



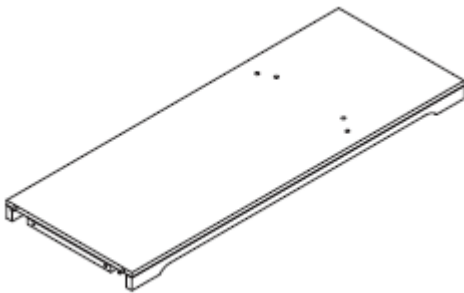
(A) Left Side
(1 pcs)



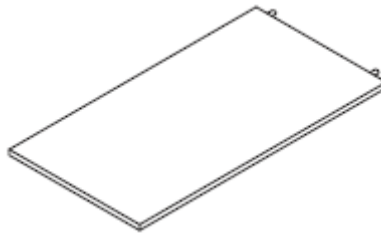
(B) Center Support
(1 pcs)



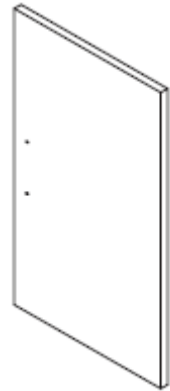
(C) Right Side
(1 pcs)



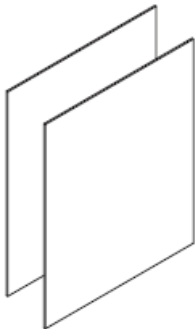
(D) Base
(1 pcs)



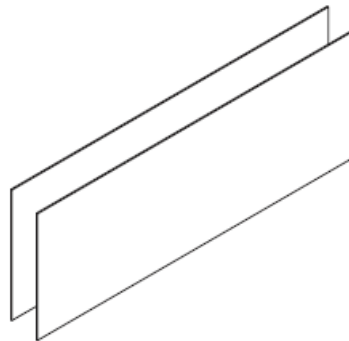
(E) Large Changer Top
(1 pcs)



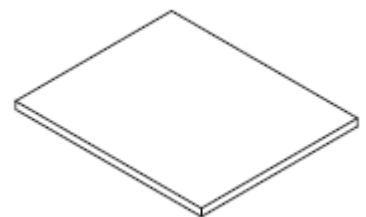
(F) Door
(1 pcs)



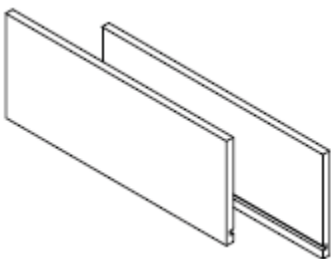
(G) Small Back Panel
(2 pcs)



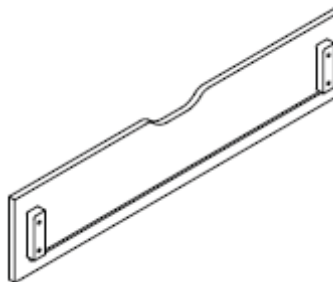
(H) Large Back Panel
(2 pcs)



(I) Shelf
(1 pcs)



(J) Drawer Side
(8 pcs)

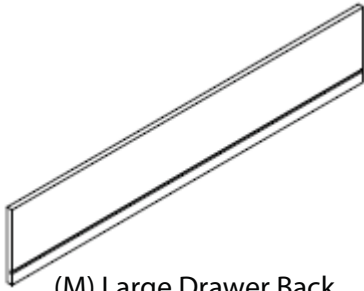


(K) Large Drawer Front
(3 pcs)

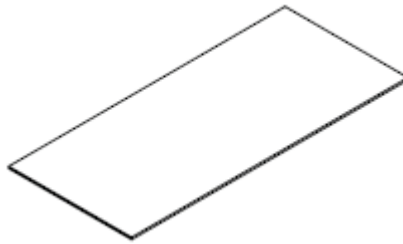


(L) Drawer Support
(3 pcs)

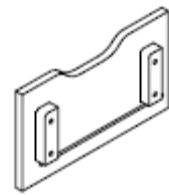
PART LIST



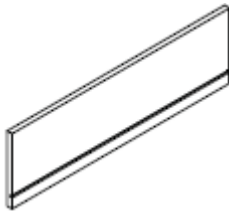
(M) Large Drawer Back
(3 pcs)



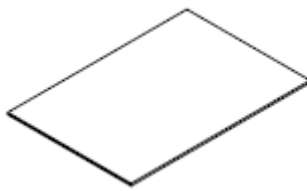
(N) Large Drawer Bottom
(3 pcs)



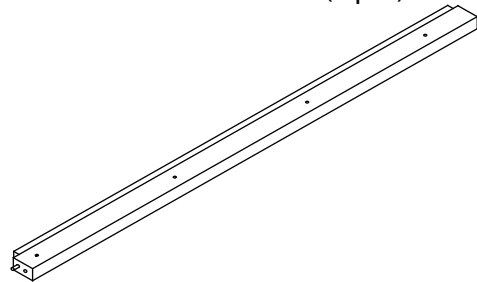
(O) Small Drawer Front
(1 pcs)



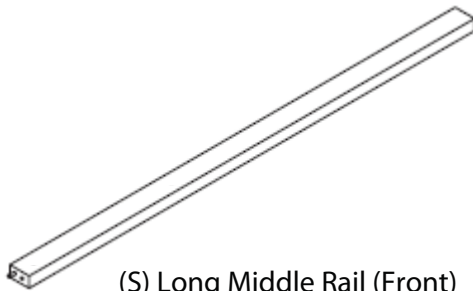
(P) Small Drawer Back
(1 pcs)



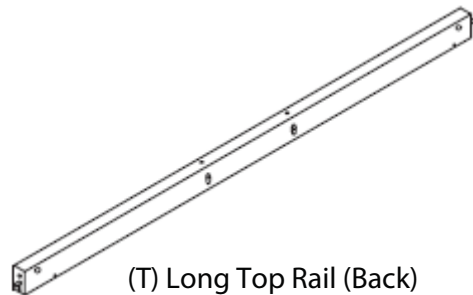
(Q) Small Drawer Bottom
(1 pcs)



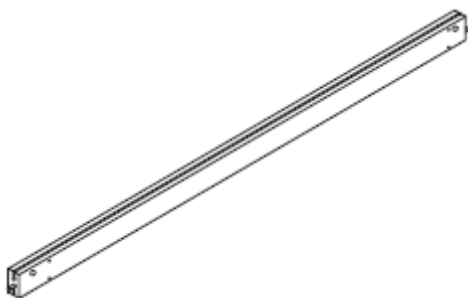
(R) Long Top Rail (Front)
(1 pcs)



(S) Long Middle Rail (Front)
(2 pcs)



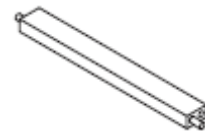
(T) Long Top Rail (Back)
(1 pcs)



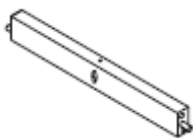
(U) Long Middle Rail (Back)
(1 pcs)



(V) Short Top Rail (Front)
(1 pcs)



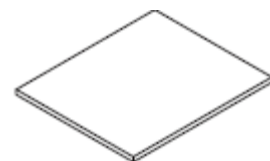
(W) Short Middle Rail (Front)
(1 pcs)



(X) Short Top Rail (Back)
(1 pcs)



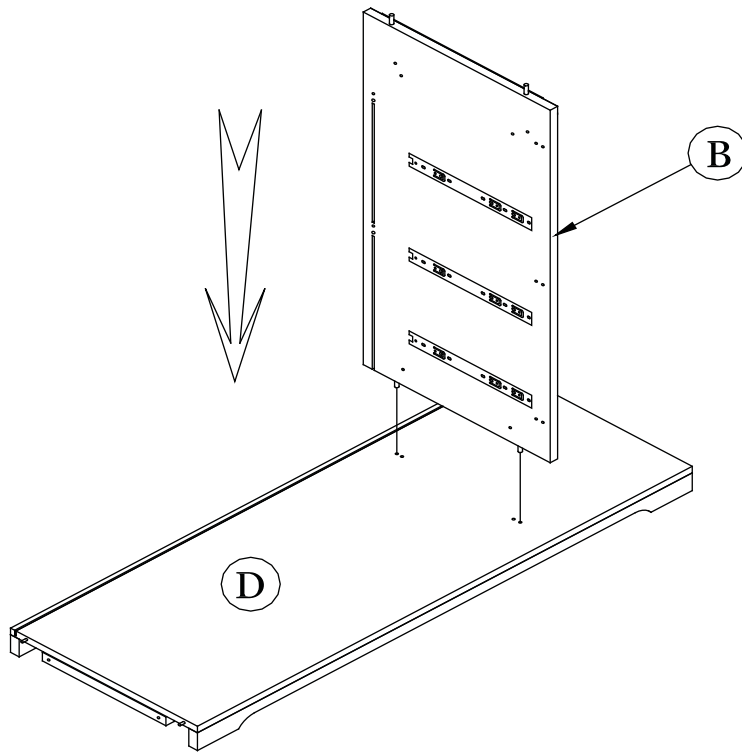
(Y) Short Middle Rail (Back)
(1 pcs)



(Z) Small Changer Top
(1 pcs)

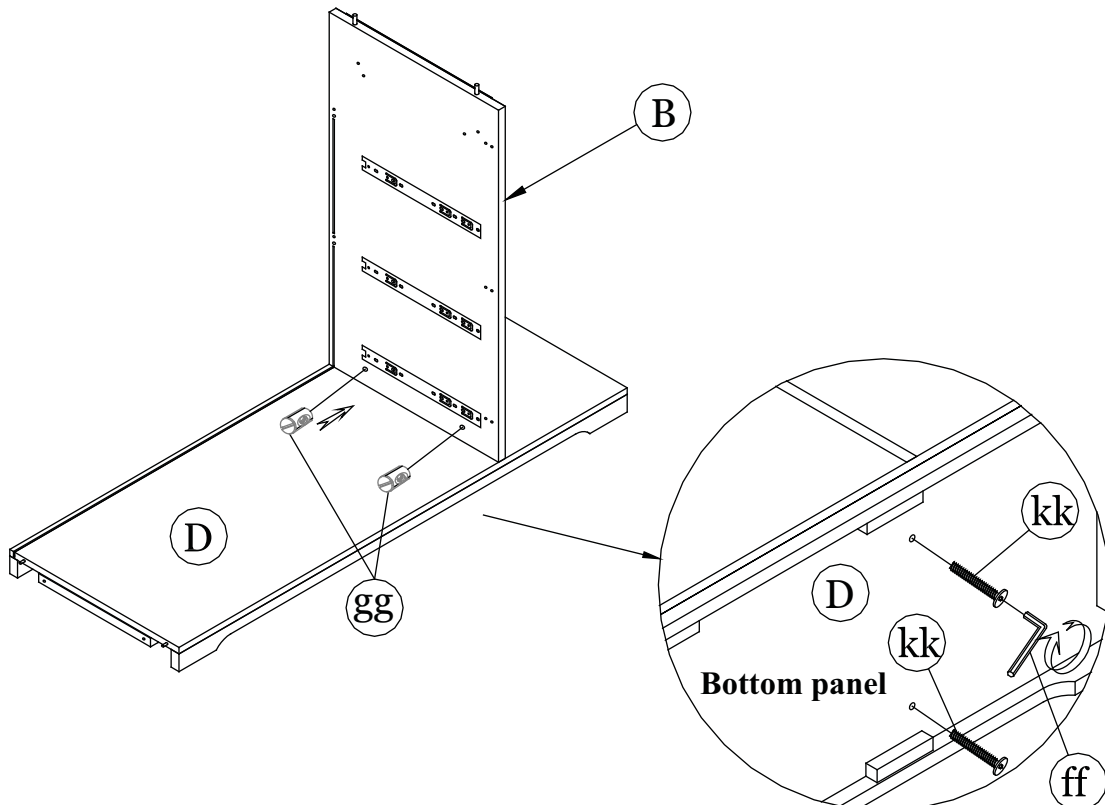
1

Align the dowel pins of the Center Support (B) into the holes of the Base (D) so that the grooves align along the back of the unit.

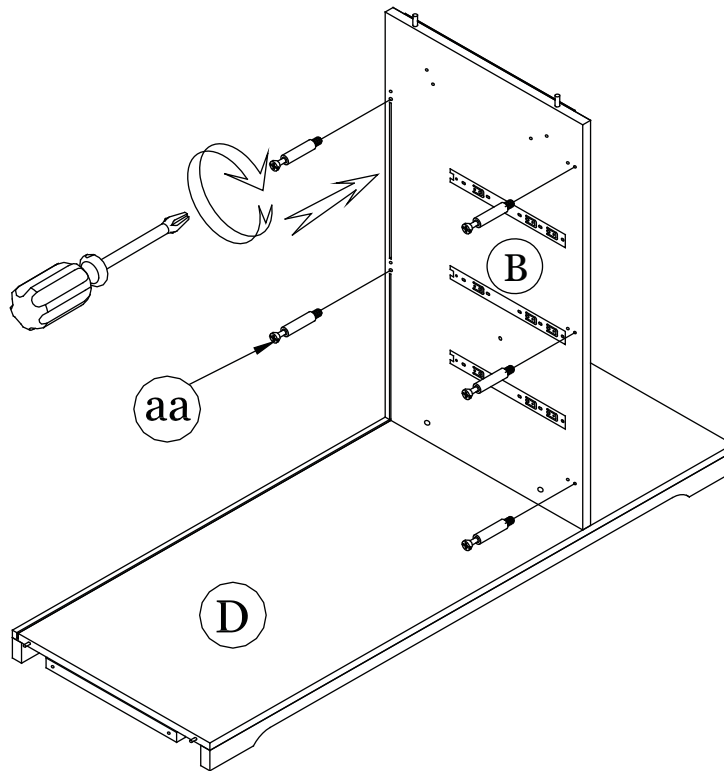


2

Place two (2) Barrel Nuts (gg) into the Center Support (B) holes. Tip the unit onto its back. Secure the pieces together using two (2) 73mm Bolts (kk) and tighten using the Allen Key (ff).

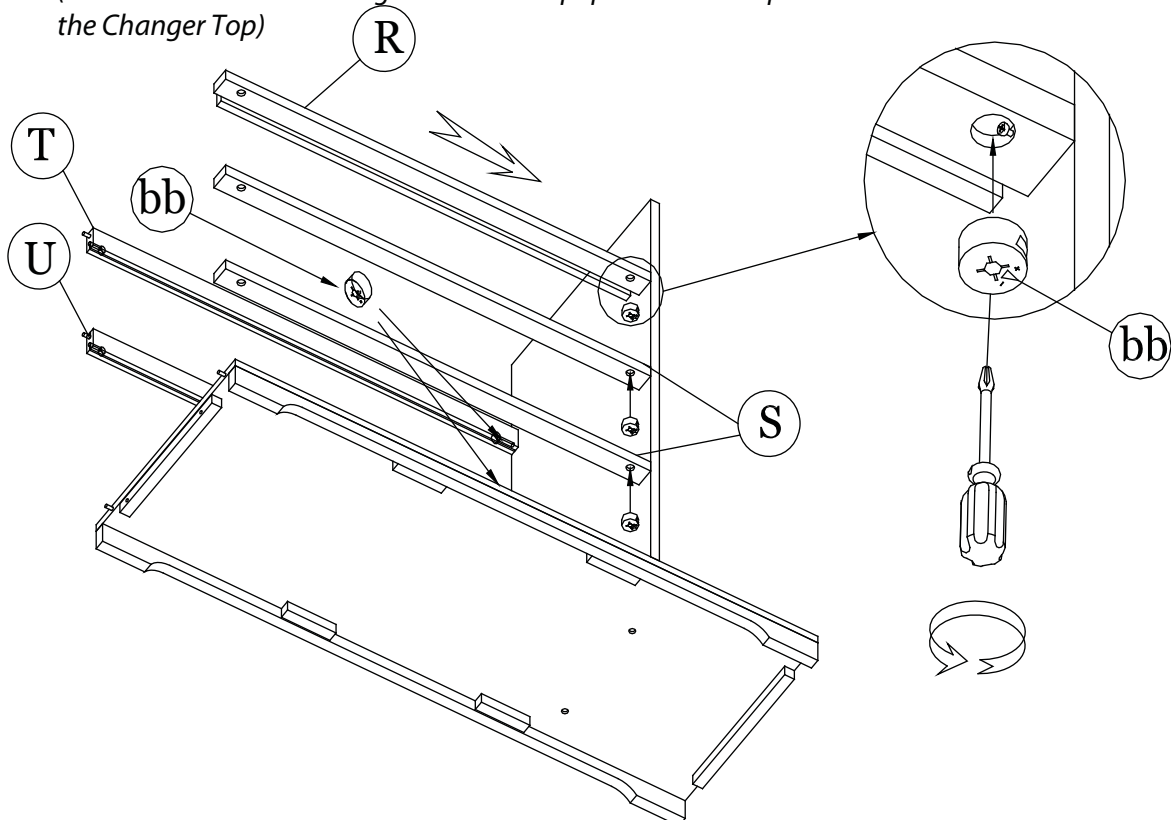


3 Attach five (5) Combiner Bolts (aa) into the Center Panel (B).

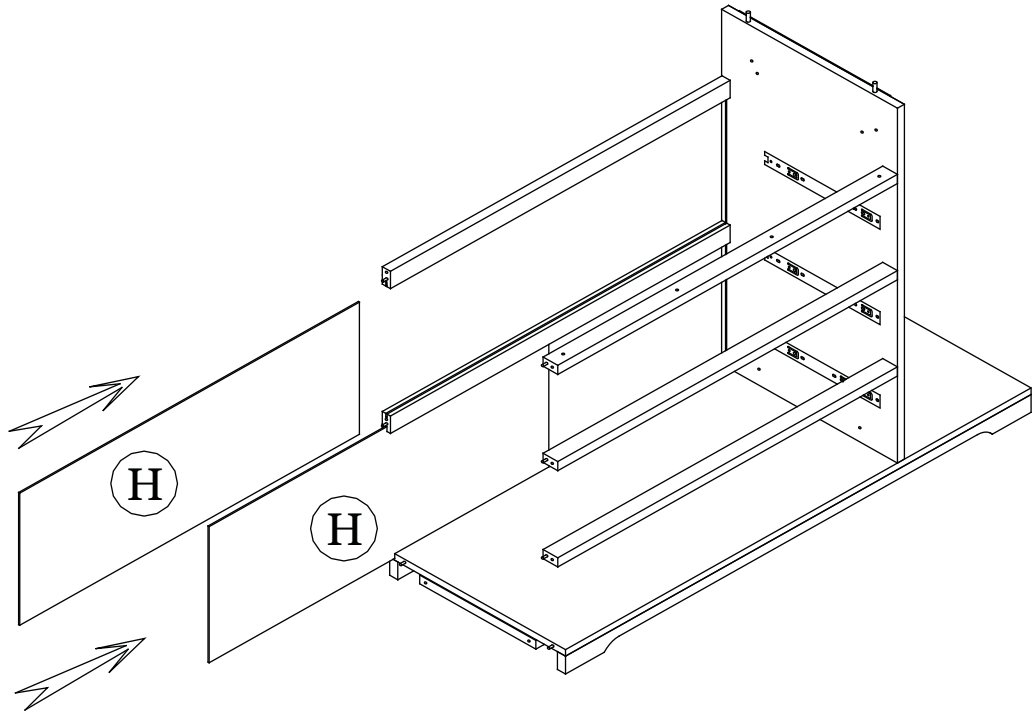


4 Screw Combiner Nuts (bb) onto the bottom of the Long Rails (R),(S),(T), and (U) and tighten them onto the Combiner Bolts.

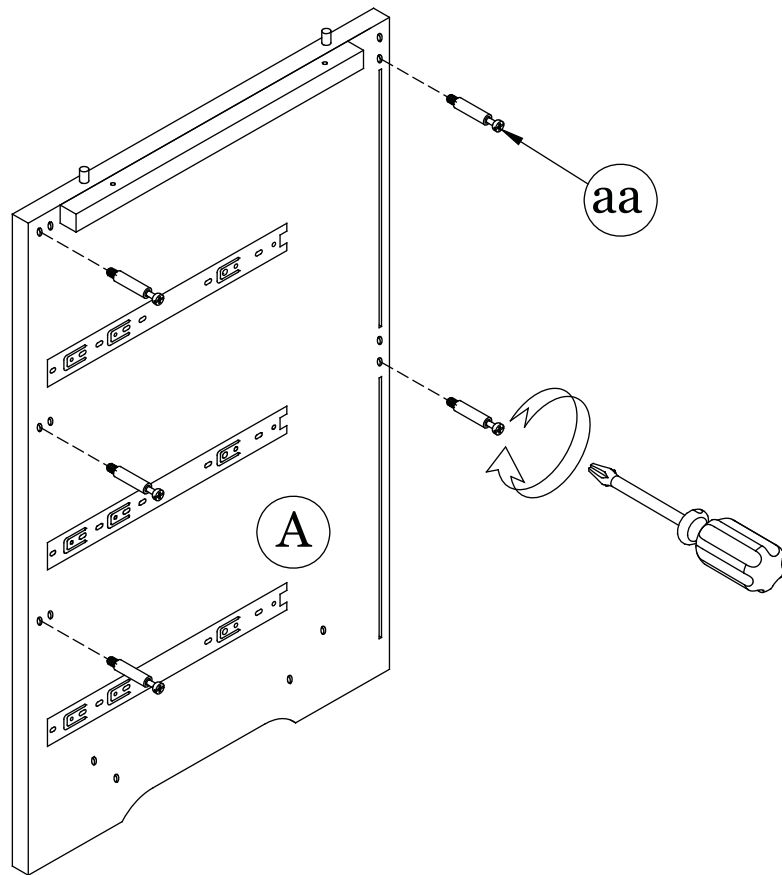
(Note: The Back Rails have grooves to accept panels. The Top Rails have holes to screw into the Changer Top)



- 5** Slide the Large Back Panels (H) into the grooves along the back rails of the unit.

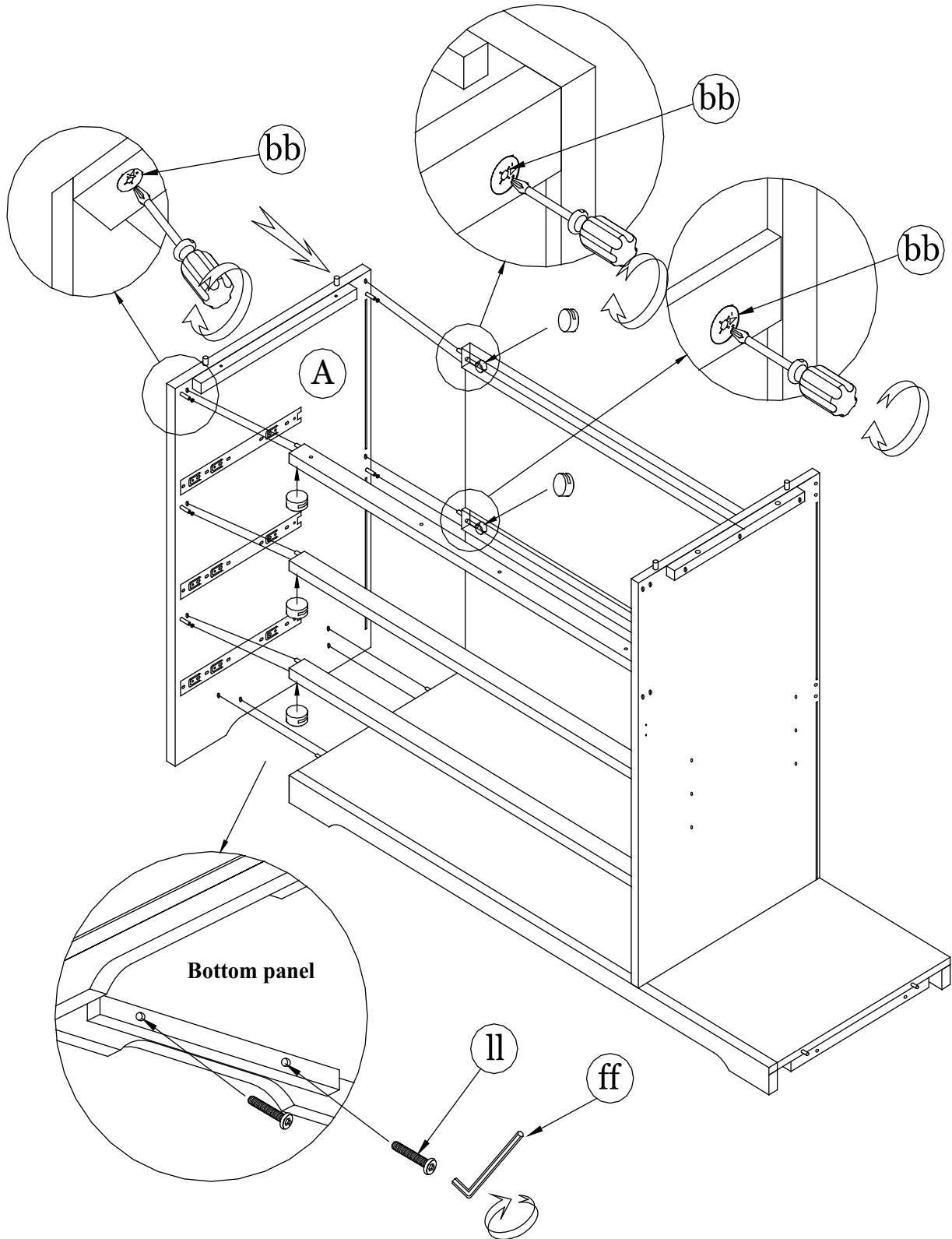


- 6** Screw five (5) Combiner Bolts (aa) into the Left Side (A).



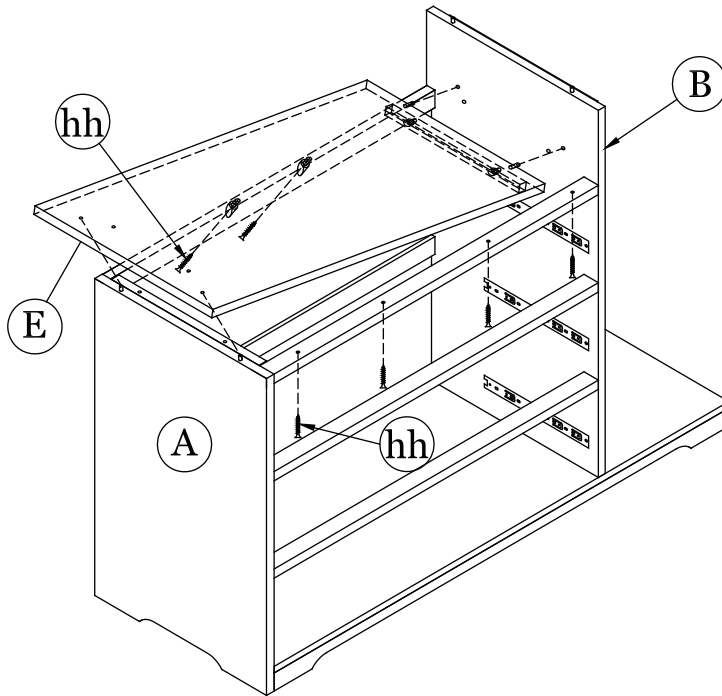
7 Attach the five (5) rails to the Left Side (A) using Combiner Nuts (bb). Tighten the nuts to the Combiner Bolts using a Phillips Head Screwdriver.

Using the Allen Key (ff), attach the Base (D) to the Left Side (A) from the underside of the unit using two (2) 28mm Bolts (ll).

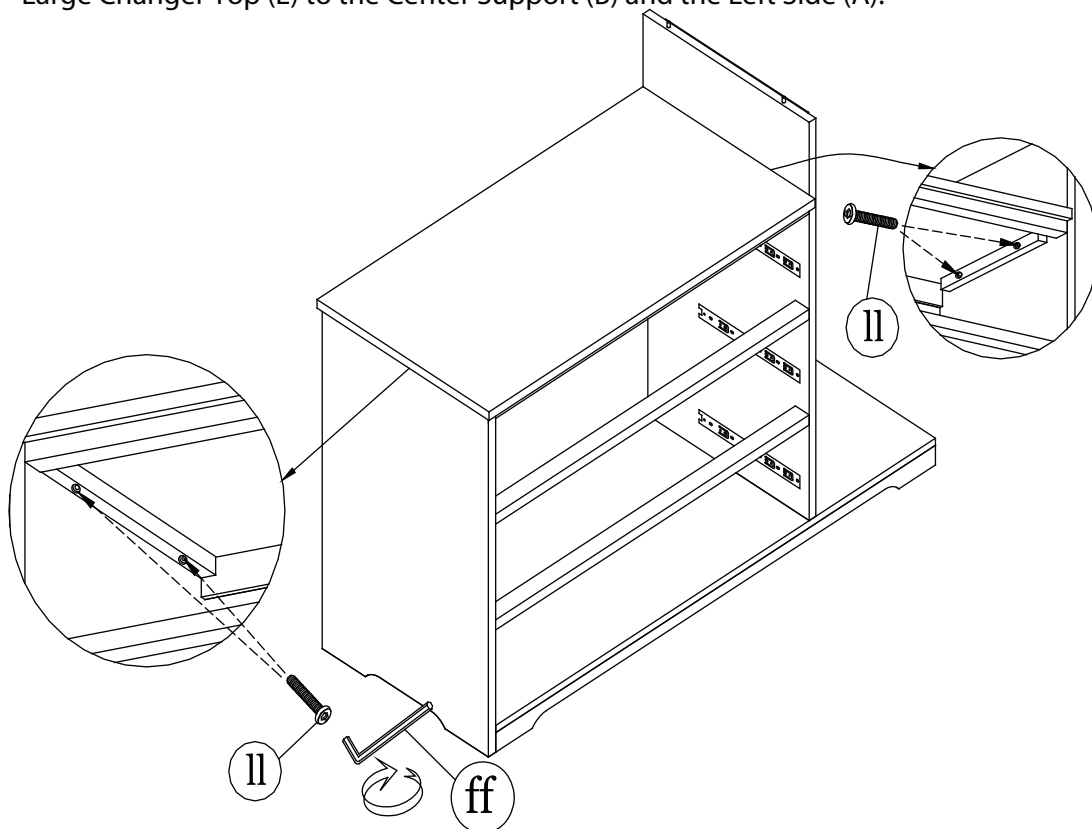


- 8** Slide the dowel pins on the Large Changer Top (E) into the Center Support (B).
Note: The Top Panel should be slightly inclined when installing to ensure proper fit.

Use 30mm Flathead Screws (hh) to secure the Rails to the Changer Top.

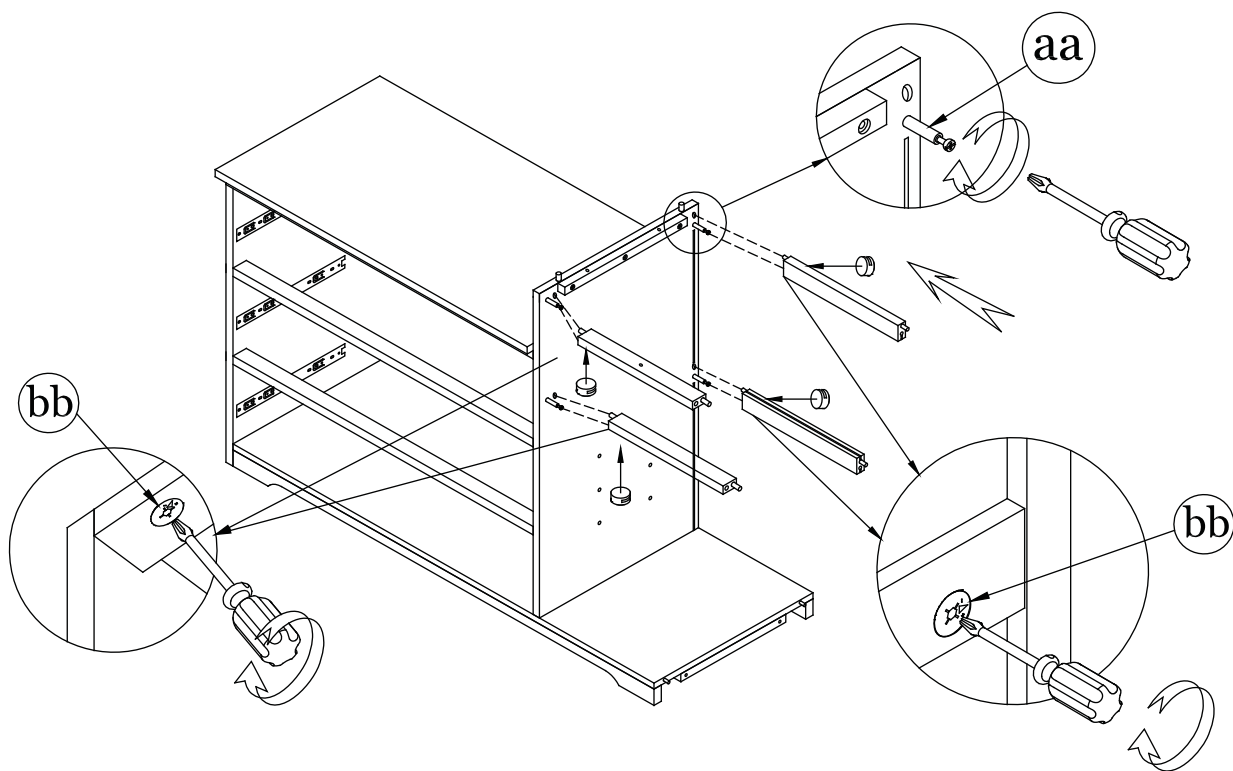


- 9** From inside the unit, use the Allen Key (ff) and four (4) 28mm Bolts (ll) to secure the Large Changer Top (E) to the Center Support (B) and the Left Side (A).

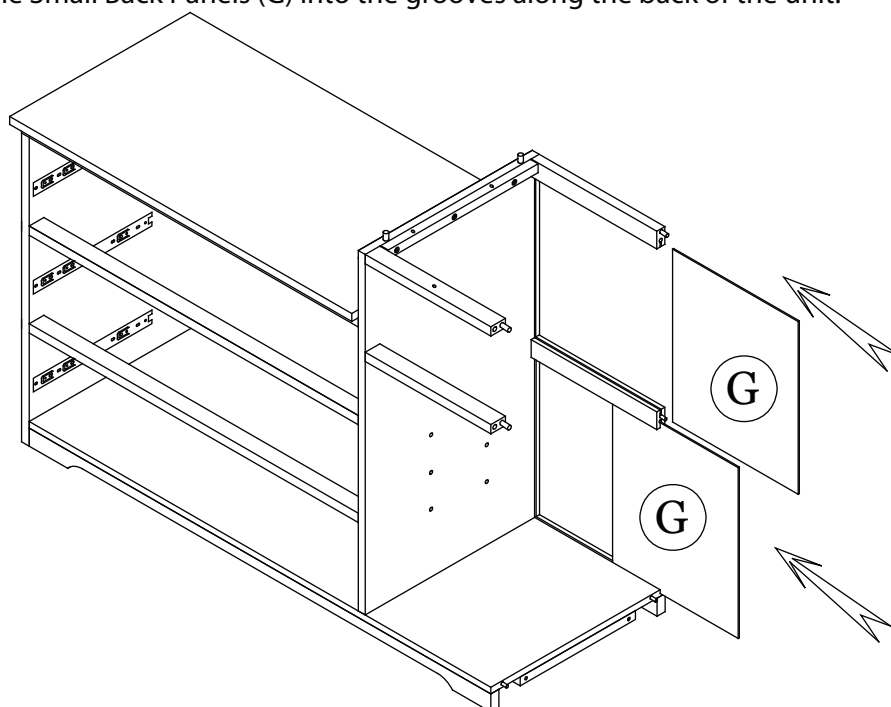


10 Screw four (4) Combiner Bolts (aa) into the Center Support (B).

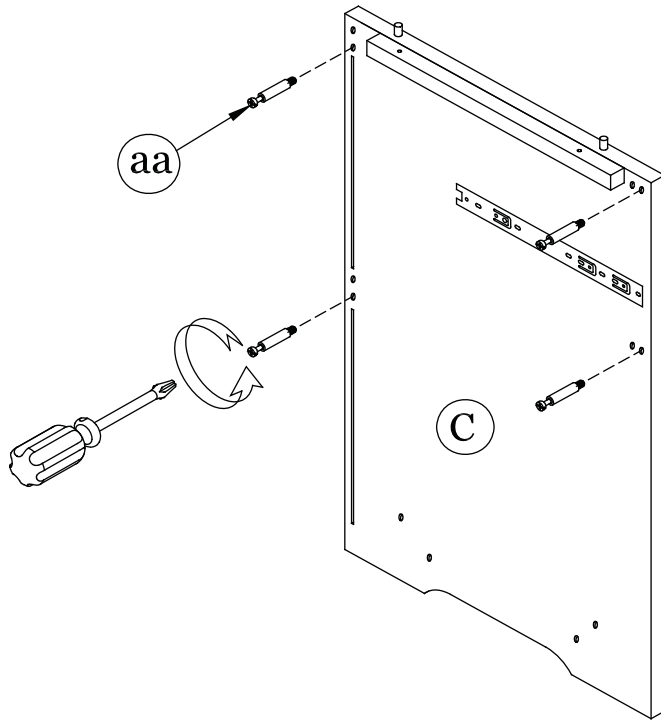
Attach the Short Rails (V), (W), (X), & (Y) using Combiner Nuts (bb). Tighten the Combiner Nuts (bb) to the Combiner Bolts (aa) using a Phillips Head Screwdriver.



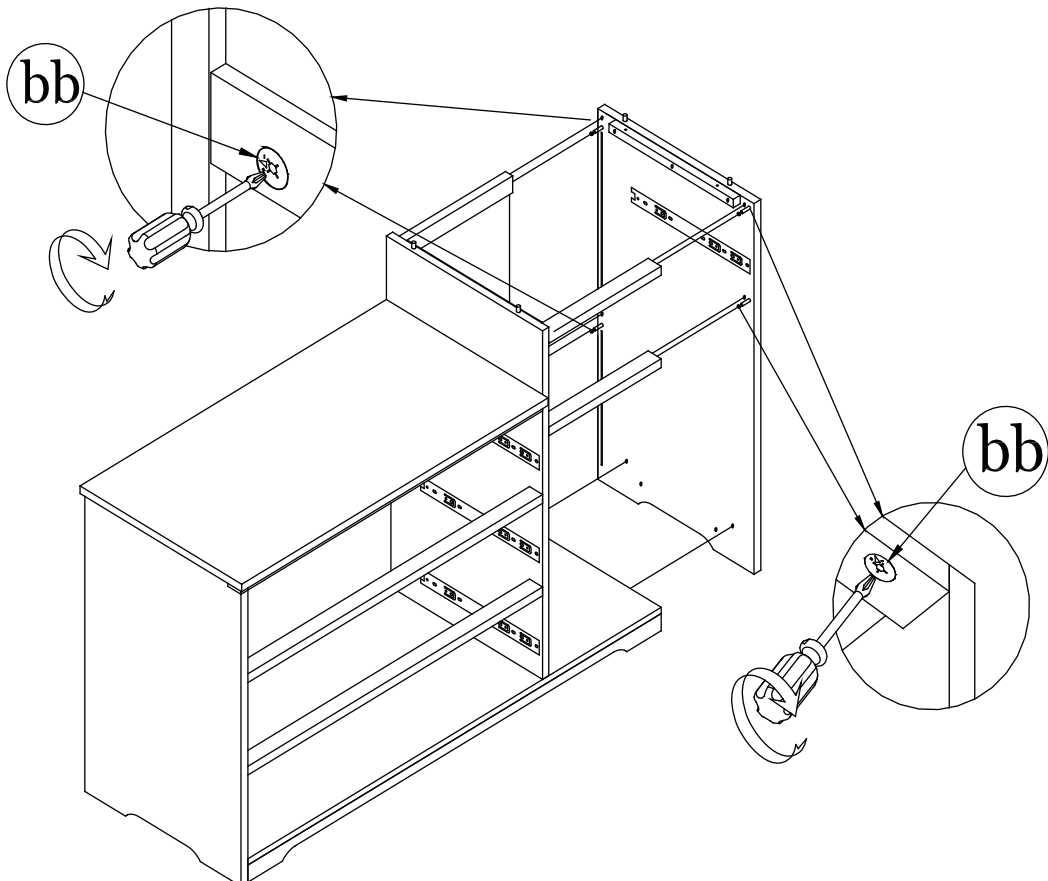
11 Slide the Small Back Panels (G) into the grooves along the back of the unit.



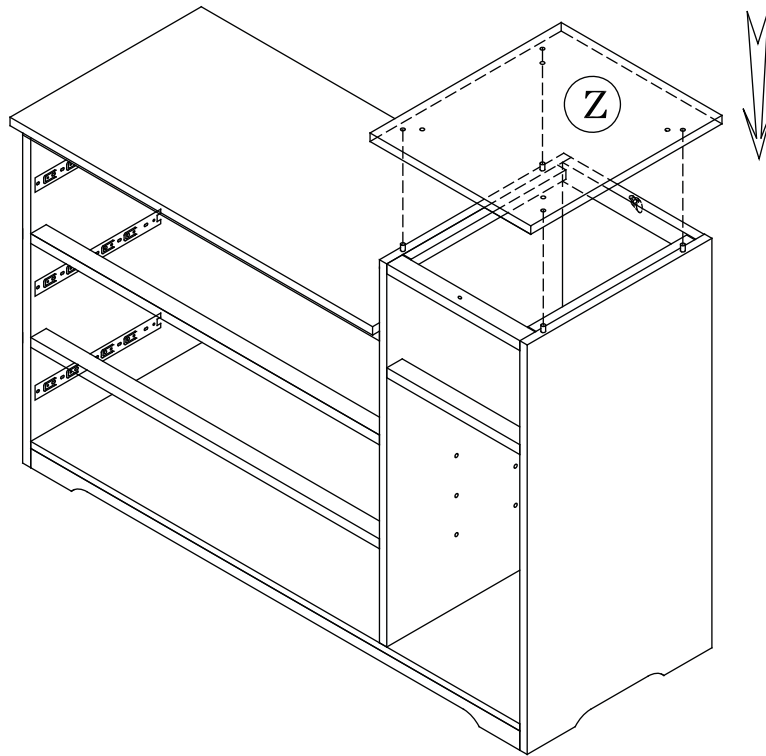
12 Screw four (4) Combiner Bolts (aa) into the Right Side (C).



13 From inside the unit, use the Allen Key (ff) and four (4) 28mm Bolts (ll) to secure the Large Changer Top (E) to The Center Support (B) and the Left Side (A).

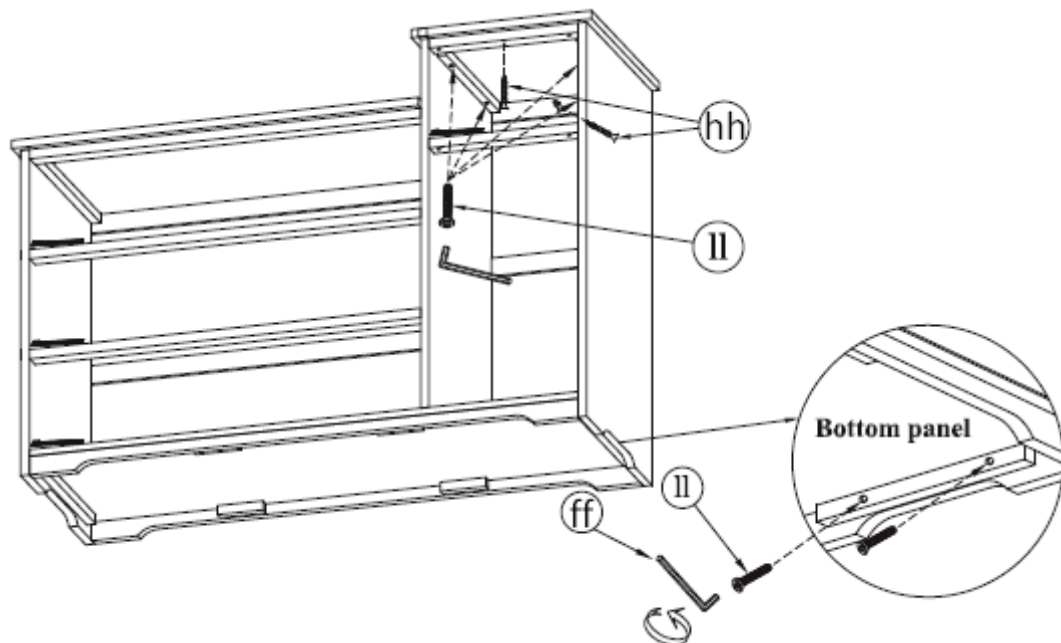


- 14** Place the Small Changer Top (Z) onto the unit ensuring that the dowel pins align with the holes.



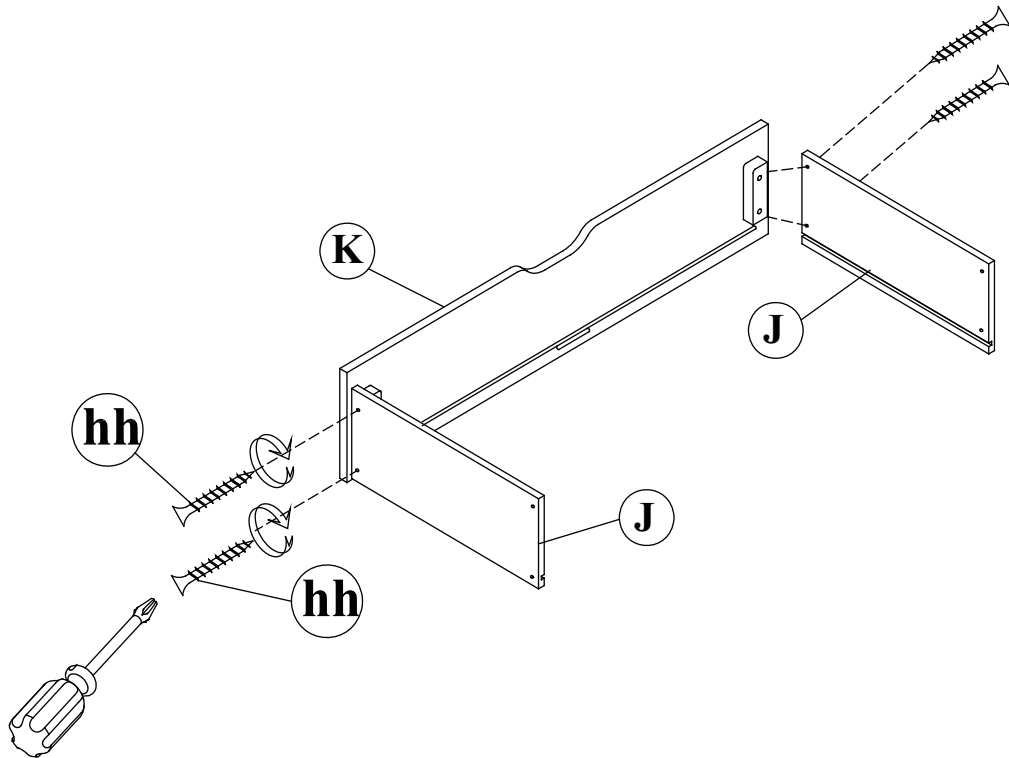
- 15** Secure the Small Changer Top (Z) to the unit using two (2) 30mm Flathead Wood Screws (hh) and four (4) 28mm Bolts (ll).

From the underside of the unit, secure the Right Side (C) to the Base (D) using two (2) 28mm Bolts (ll).



- 16** Attach the Drawer Sides (J) to the Large Drawer Front (K) using four (4) 30mm Flathead Wood Screws (hh).

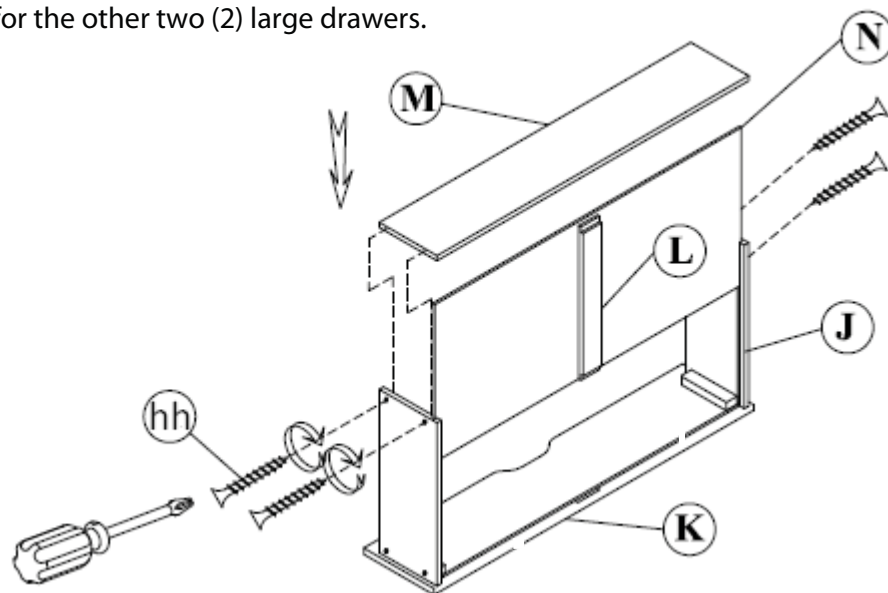
Repeat for the other two (2) large drawers.



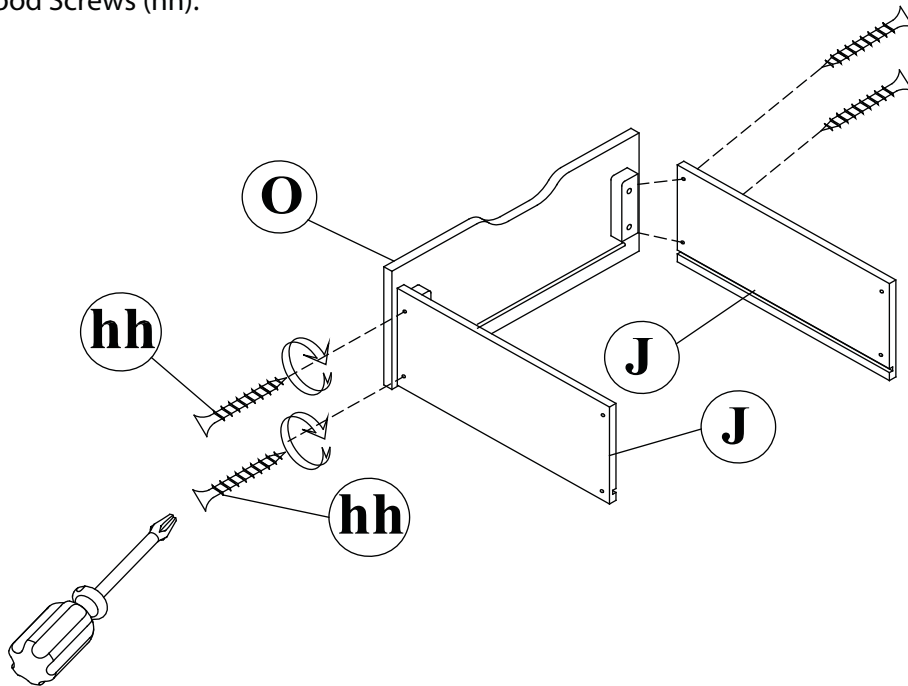
- 17** Slide the Large Drawer Bottom (N) into the grooves. Place the Drawer Support (L) into the cut-out notch to support the Drawer Bottom.

Complete the drawer assembly by attaching the Large Drawer Back (M) using four (4) 30mm Flathead Wood Screws (hh).

Repeat for the other two (2) large drawers.

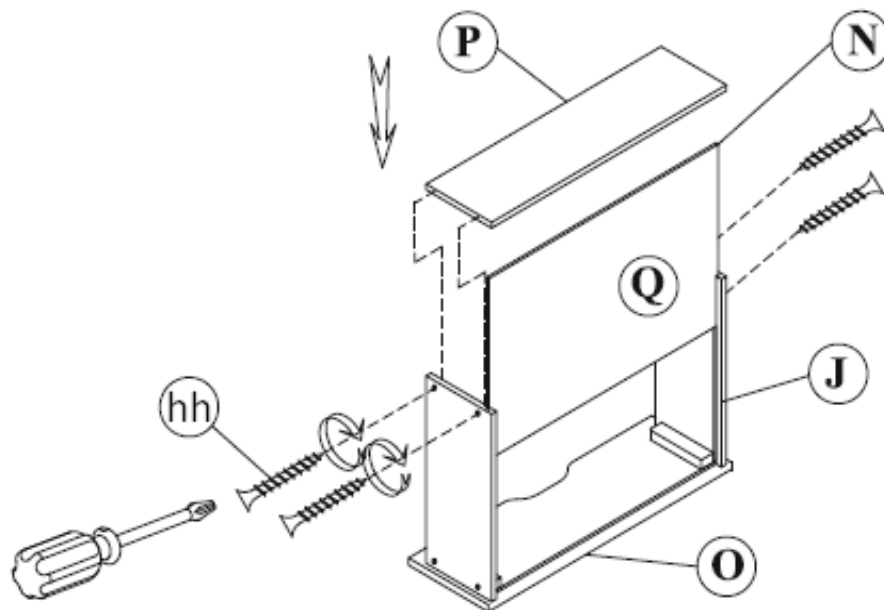


- 18** Attach the Drawer Sides (J) to the Small Drawer Front (O) using four (4) 30mm Flathead Wood Screws (hh).



- 19** Slide the Small Drawer Bottom (Q) into the grooves.

Complete the drawer assembly by attaching the Small Drawer Back (P) using four (4) 30mm Flathead Wood Screws (hh).

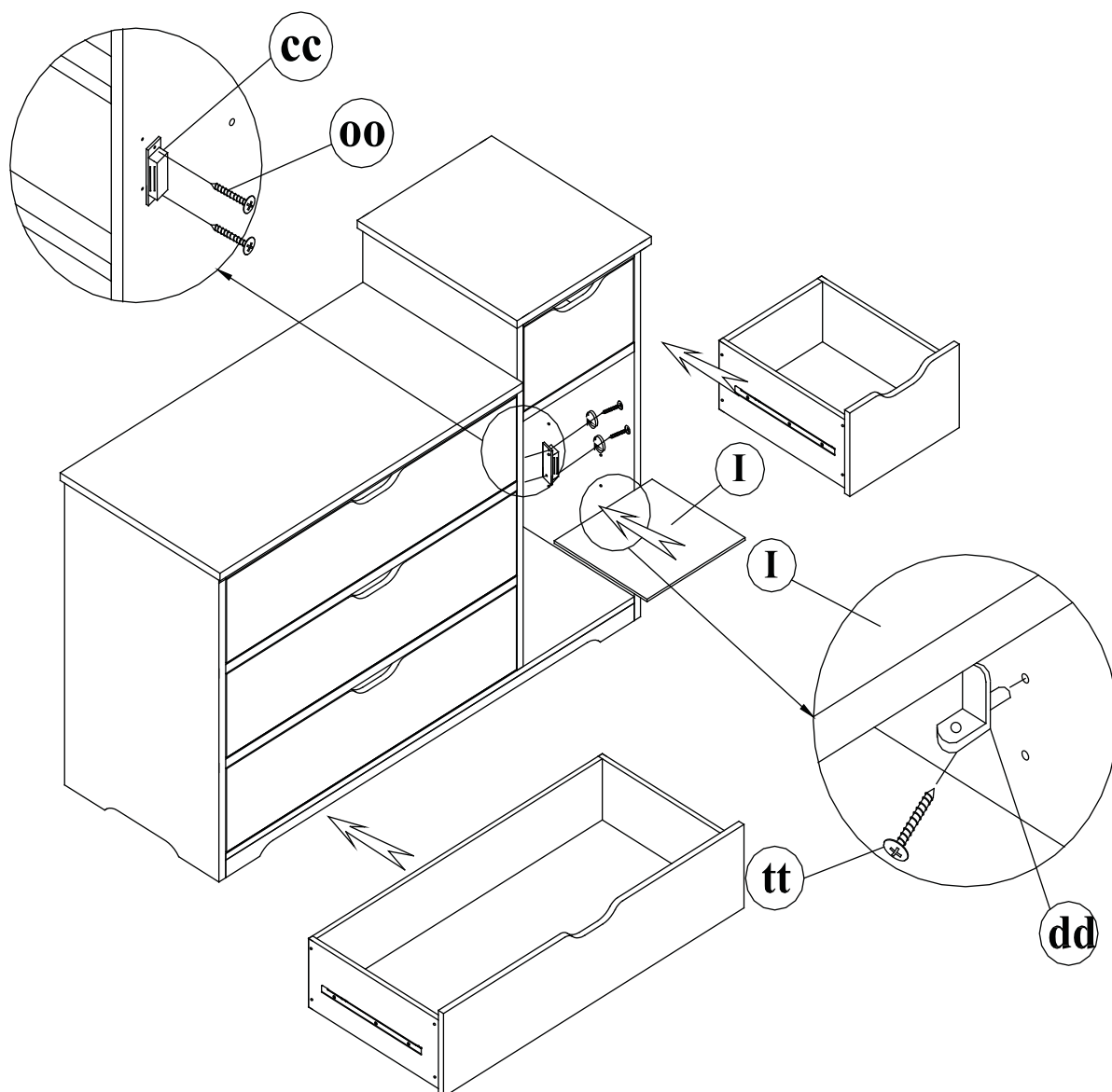


20

Attach the Magnetic Catch (cc) to the inside of the cabinet using two (2) Panhead Screws (oo). The metal plate gets attached to the back side of the Door (F).

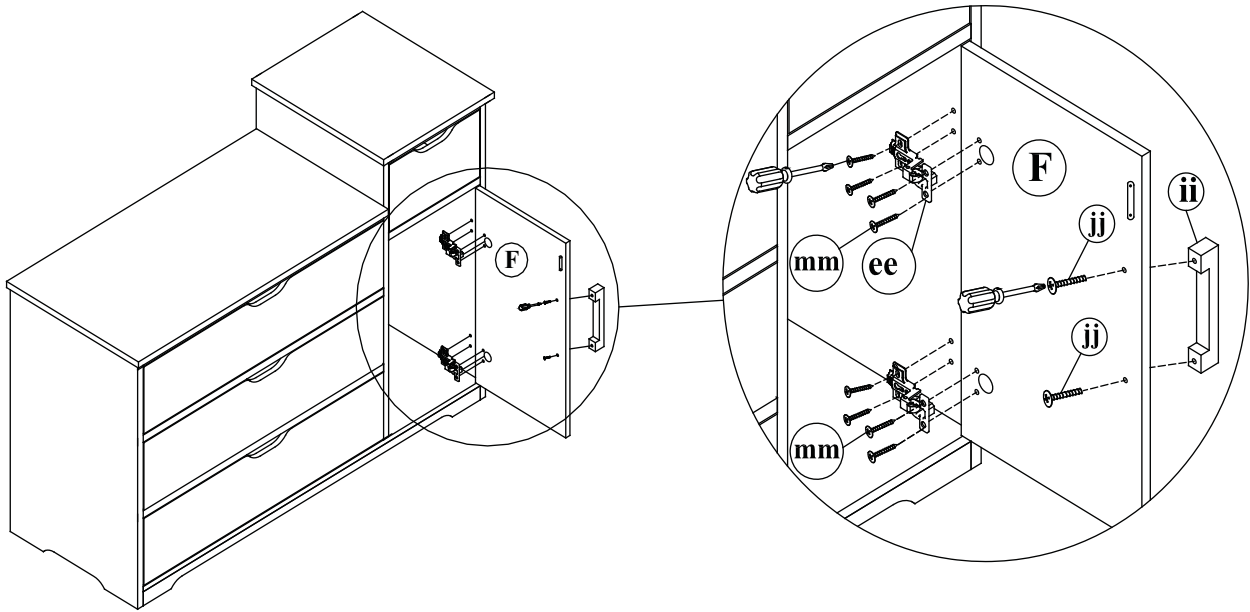
Slide the four (4) drawers into the metal runners of the unit.

Install the Shelf Brackets (dd) and the Shelf (I).

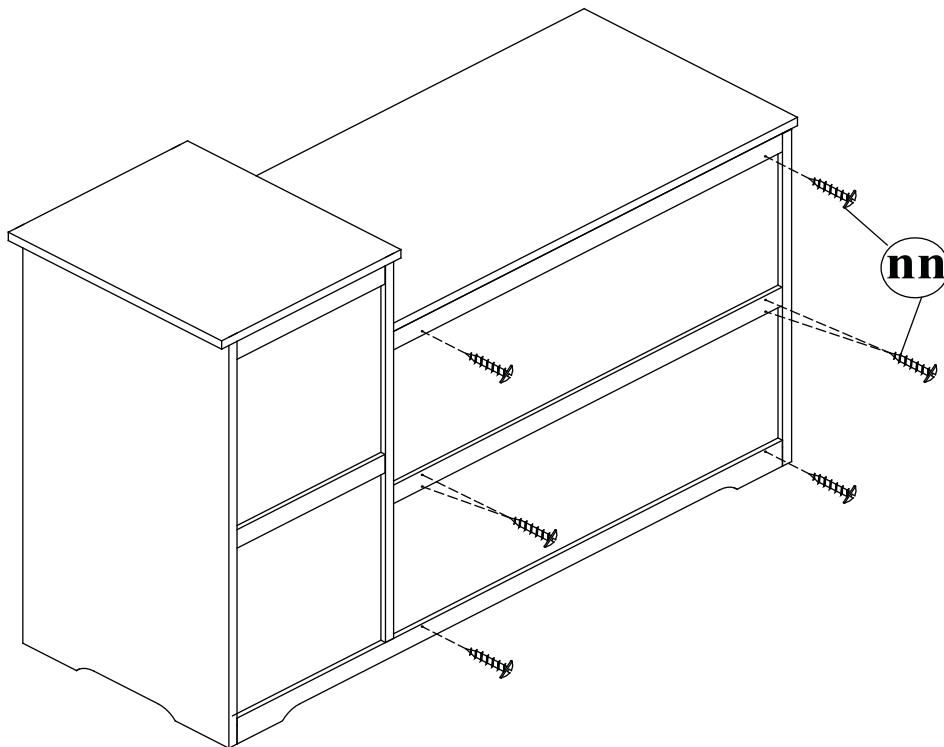


21 Install the Door (F) by attaching the Door Hinge (ee) to the Door and the inside of the cabinet using eight (8) 15mm Flathead Wood Screws (mm).

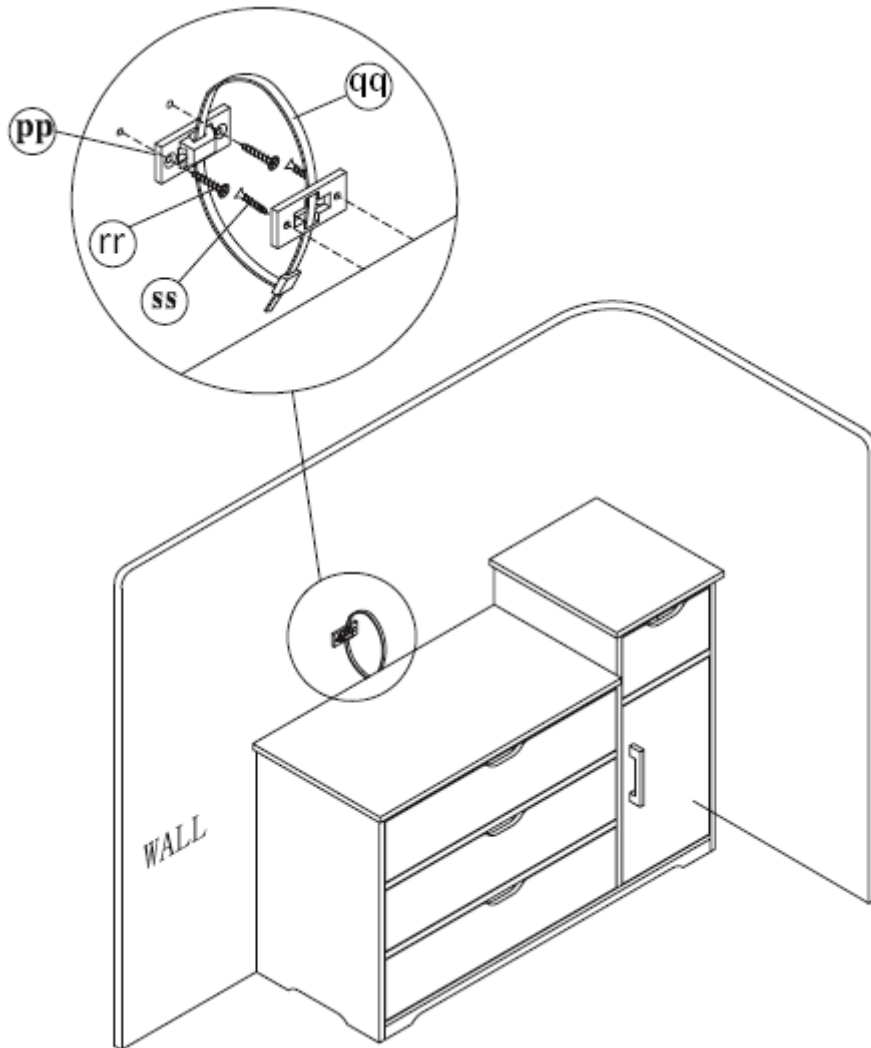
Attach the Door Handle (ii) to the door using two (2) 22mm Machined Screws (jj).



Attach the Large back panel (H) using Panhead Screw (nn) .



- 22** To help stabilize the unit and minimize the fall risk, install the two (2) Anti-Tip Plastic Covers (pp) and the Anti-Tip Plastic Strip (qq) using the 38mm Flathead Screws (rr) and 20mm Flathead Screws (ss) as shown below.



Important Information:

Before you begin assembly, please read these directions. After product is assembled make sure all bolts and screws are securely tightened.

If a part is missing or broken or if you have any questions please call us right away for customer service. Your complete satisfaction with this product is important to us. **Call 1-800-BABYAGE (222-9243)**

Thank you for purchasing this Oggi product. At BabyAge.com, our goal is to provide every customer with an exceptional online shopping experience. We take our customers' concerns seriously, and encourage open communication before, during, and after a purchase is made.

We strive to create a Oggi product that will be of lasting value to both you and your child. This product was constructed with high quality materials and is held to the highest safety standards.

Understanding that occasionally circumstances may result in a less-than-perfect product, we will make every possible effort to correct the situation.

If you have any type of question or comment regarding your Oggi product, I would encourage you to contact us via our web-site contact form (<http://www.babyage.com/customersupport.aspx>) or our Toll-Free Customer Service number. 1-800-BABYAGE (222-9243).

Your complete satisfaction is of the utmost importance to us, and we thank you for the privilege of helping you car for your baby.

Best,



Jack Kiefer (President & CEO)

Oggi

360 Stewart Road
Wilkes-Barre, PA 18706
www.BabyAge.com
1-800-BabyAge

Product Packaging Information

Model #: _____

Color: _____

Shipment Ref. #: _____

Packdate: _____

MADE IN VIETNAM