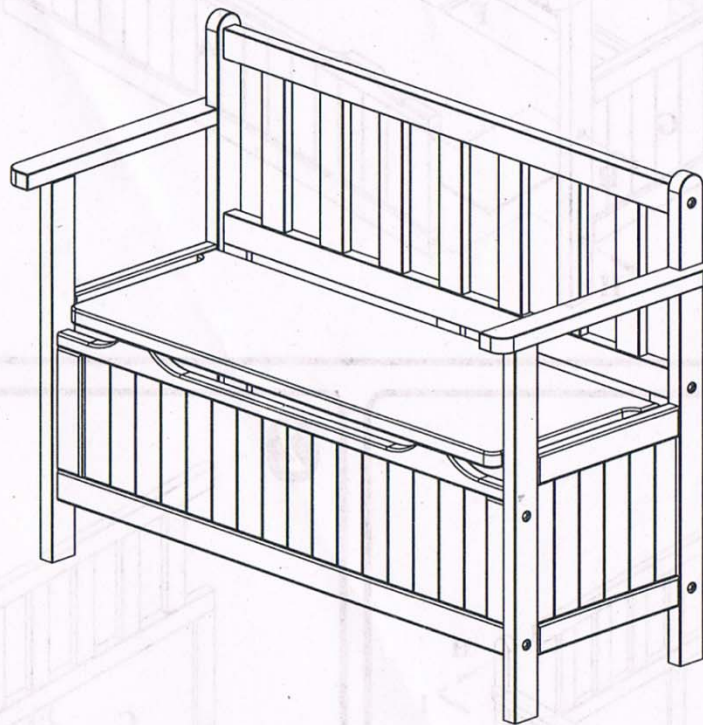




mission deacon's bench

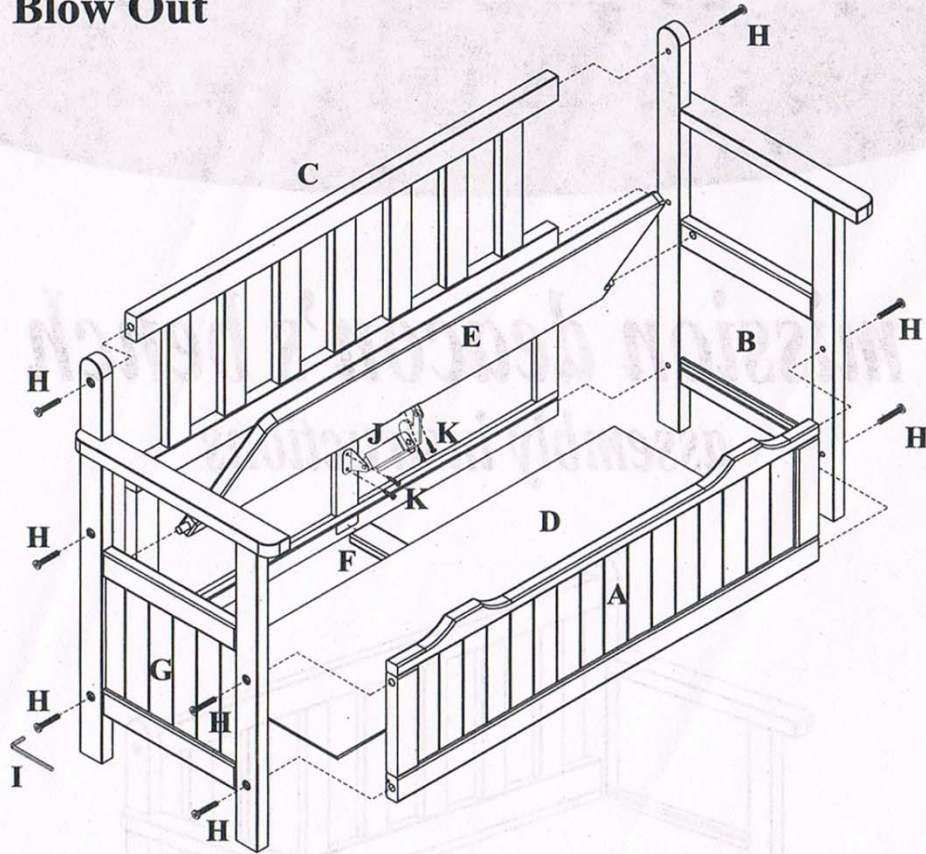
assembly instructions



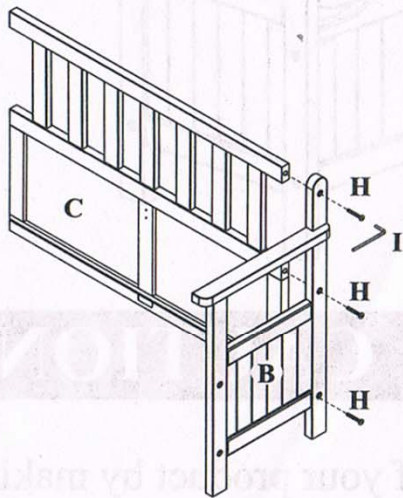
WARNING **CAUTION**

- Periodically check the safety of your product by making certain all screws and bolts are tightened securely.
- Wash with mild soap and a damp cloth. Do not use abrasives.

3D Blow Out

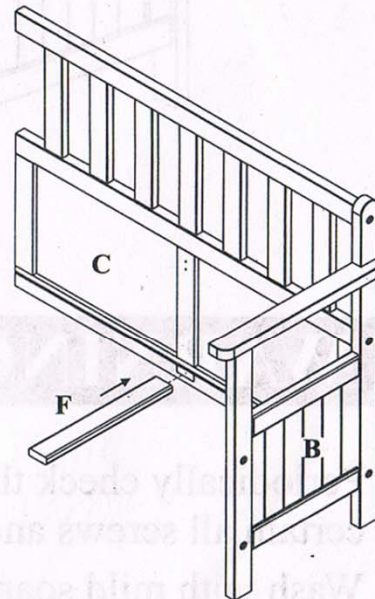


1

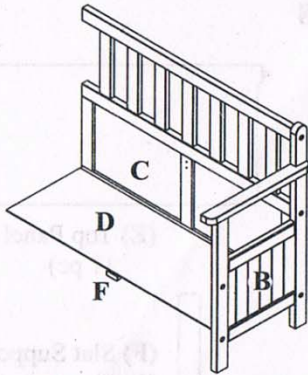


- Attach the **Right Side Panel (B)** to the **Back Panel (C)**, by bolting the corner post through the back panel using **30mm Allen Head Bolts (H)**. Tighten bolts using **Allen Key (I)** as shown in 1.

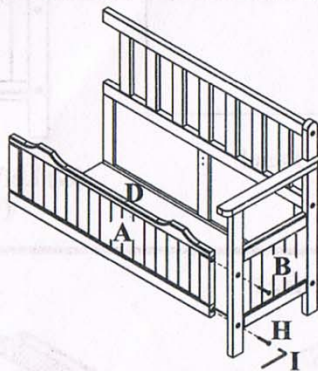
2



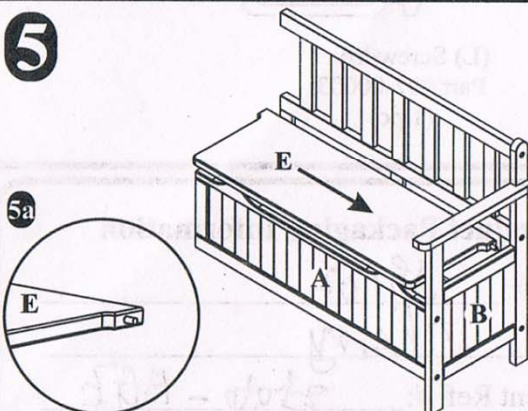
- Attach **Slat Support (F)** to the **Back Panel (C)** as shown in 2.

3

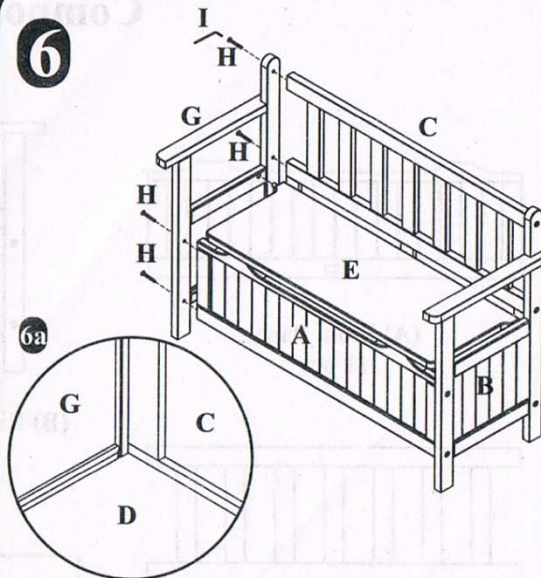
- To attach **Bottom Panel (D)**, insert the back right edge of the **Bottom Panel (D)** to the grooves found on the bottom of **Back & Right Side Panels (C & B)** as shown in 3.

4

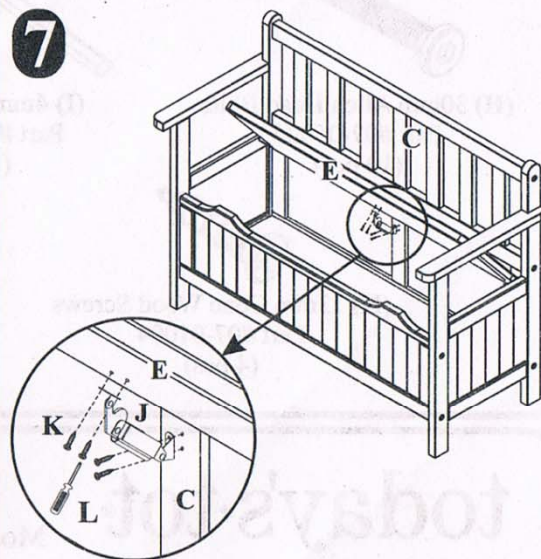
- Attach **Front Panel (A)** to **Right Side Panel (B)** using **29mm Allen Head Bolt (H)**, tighten bolt using **Allen Key (I)** as shown in 4.
- Make sure **Bottom Panel (D)** and **Slat Support (F)** connect to the groove and slot on the bottom of **Front Panel (A)**.

5

- To assemble **Top Panel (E)**, insert metal guide pin attached on the right corner of **Top Panel** (as shown in 5a) to the hole provided on the **Right Side Panel (B)** as shown in 5.

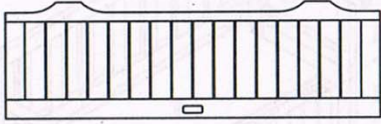
6

- Attach **Left Side Panel (G)** to the **Back Panel (C)** and **Front Panel (A)** using **30mm Allen Head Bolts (H)**, tighten bolts using **Allen Key (I)** as shown in 6.
- Make sure that metal guide pin on the left corner post of the **Top Panel (E)** lined up to the hole provided on the **Left Side Panel (G)**, and the **Bottom Panel (D)** connect to the groove on the bottom of **Left Side Panel (G)** as shown in 6a.

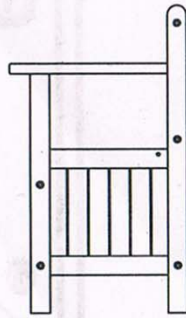
7

- As shown in 7a, attach **Lock Bracket (J)** to the middle of **Back Panel (C)** and **Top Panel (E)**, screw in using **13mm Cone Wood Screws (K)**. Tighten screws using **Screwdriver (L)**.
- Congratulations, your **Mission Deacon's Bench** is ready to use.

Component Parts



(A) Front Panel
(1 pc)



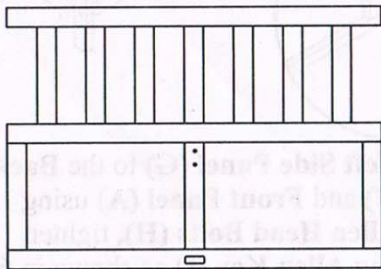
(B) Right Side Panel
(1 pc)



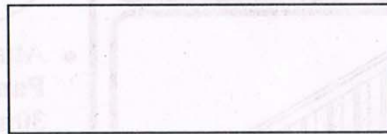
(E) Top Panel
(1 pc)



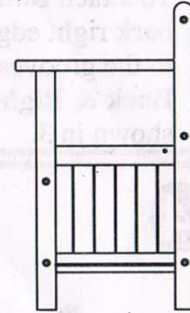
(F) Slat Support
(1 pc)



(C) Back Panel
(1 pc)



(D) Bottom Panel
(1 pc)

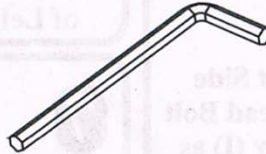


(G) Left Side Panel
(1 pc)

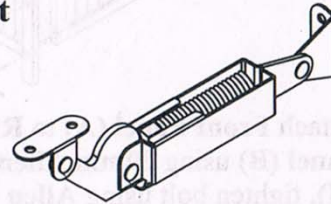
Assembly Hardware Set



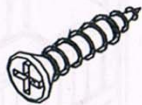
(H) 30mm Allen Head Bolts
Part #07-05026
(10 pcs)



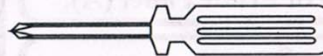
(I) 4mm Allen Key
Part #07-00001
(1 pc)



(J) Lock Bracket
Part #07-43001
(1 pc)



(K) 13mm Cone Wood Screws
Part #07-01004
(4 pcs)



(L) Screwdriver
Part #07-00003
(1 pc)

today's•tot®

360 Stewart Road
Wilkes-Barre, PA 18706
www.BabyAge.com
1-800-BabyAge

Product Packaging Information

Model #: _____

Color: _____

Shipment Ref. #: _____

Packdate: _____

MADE IN CHINA

PRN: AIM-28-4000-AGE [07.09.26]