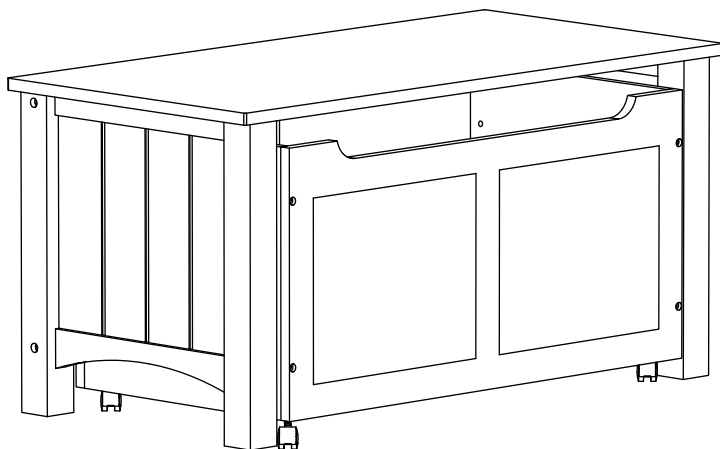


today's•tot®

mission toy box *assembly instructions*

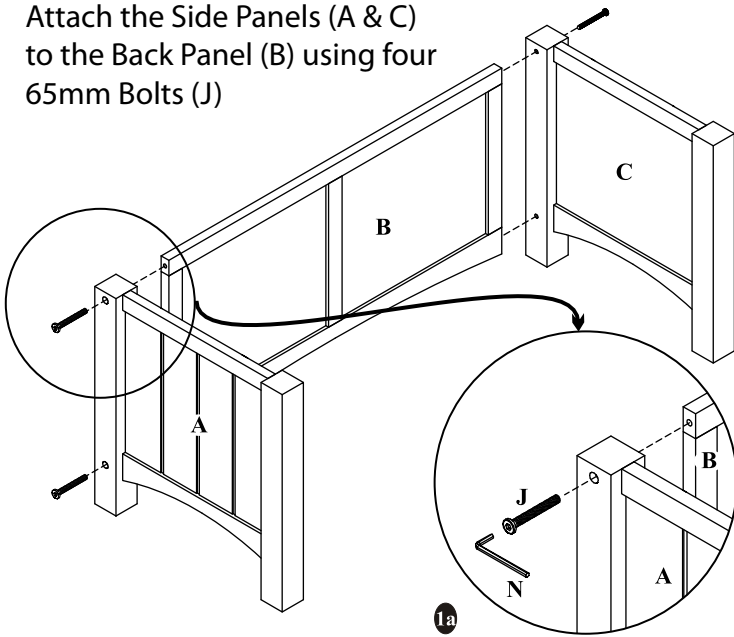
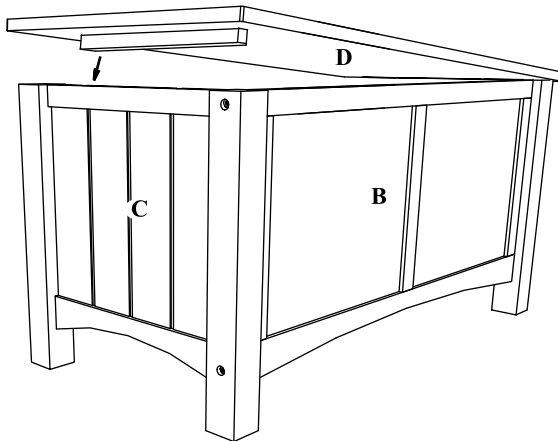


WARNING **CAUTION**

- Do not use this product as a step stool to reach high objects.
- Do not let children stand or play on top of this product as it may move and cause the child to fall and possibly injure themselves.
- Periodically check the safety of your product by making certain all screws, bolts, and washers are tightened securely.
- Wash with mild soap and a damp cloth. Do not use abrasives.

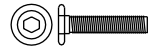
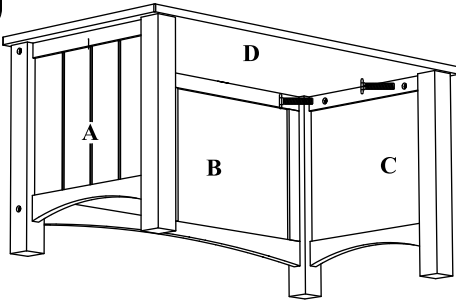
1

Attach the Side Panels (A & C) to the Back Panel (B) using four 65mm Bolts (J)

**2**

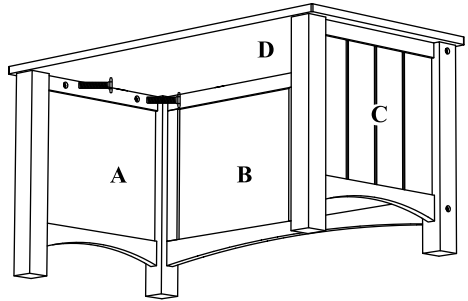
Lay the top (D) onto the unit with the rectangular attachment slats facing downward

3



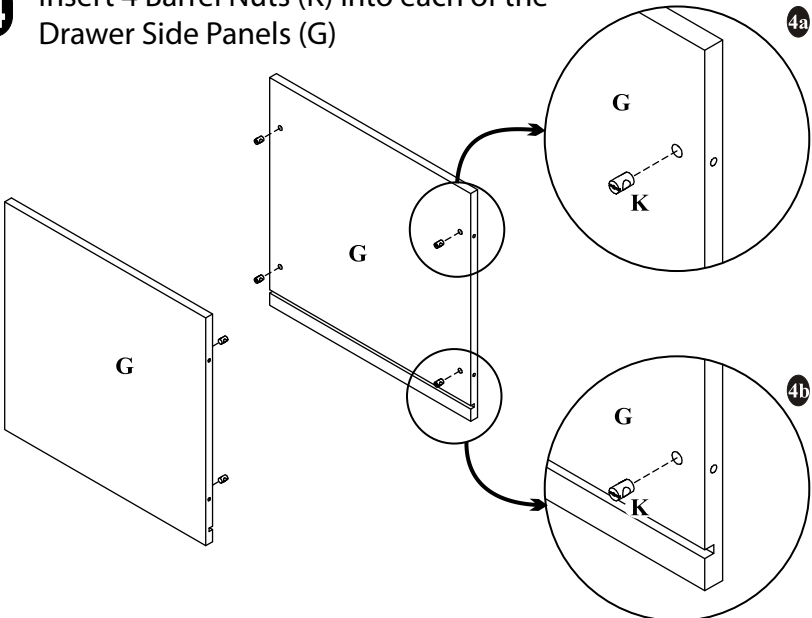
(L) 30mm Bolts
(4 pcs)

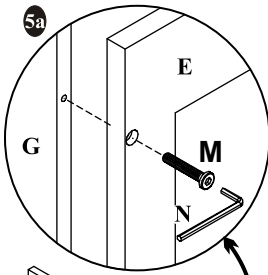
Attach the Side Panels (A) and (C) to the Top (D) using the 30mm Bolts (L) and the Allen Key (N).



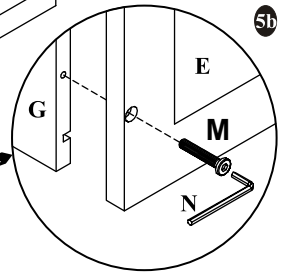
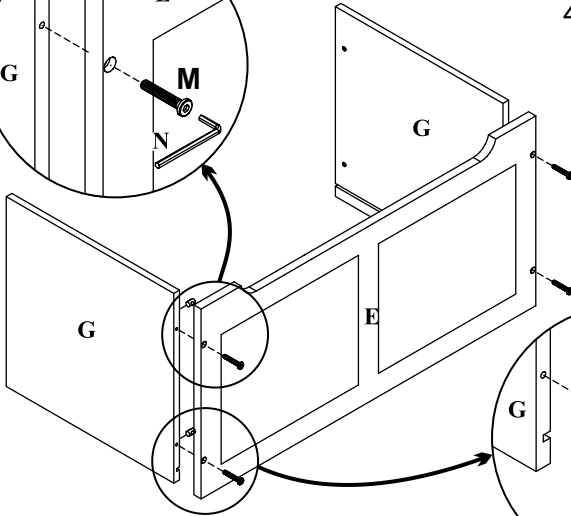
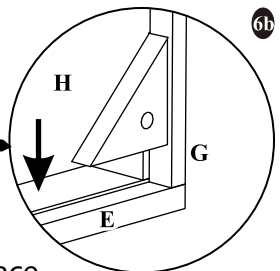
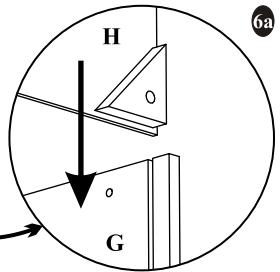
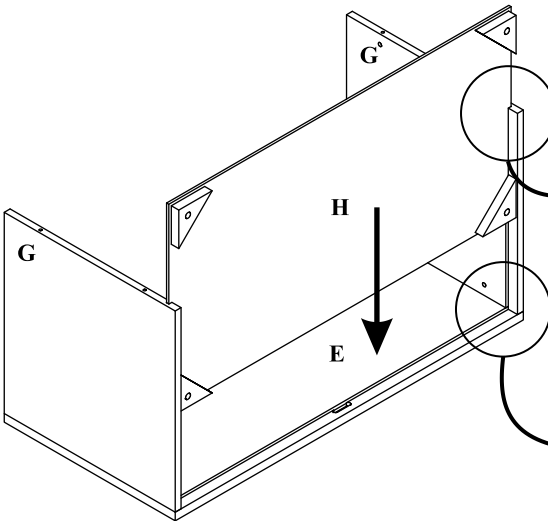
4

Insert 4 Barrel Nuts (K) into each of the Drawer Side Panels (G)



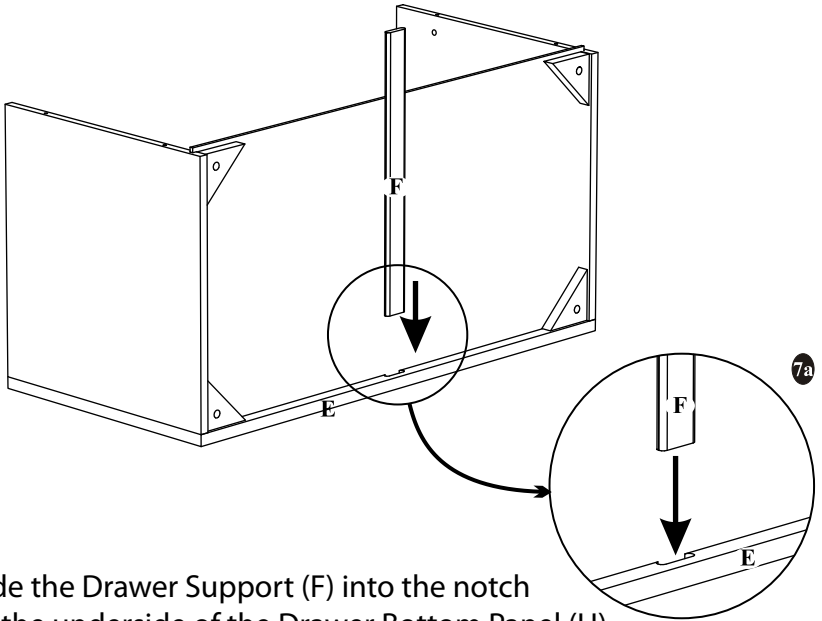
5

Attach the Drawer Side Panels (G) to the Drawer Front Panel (E) using four 45mm Bolts (M)

**6**

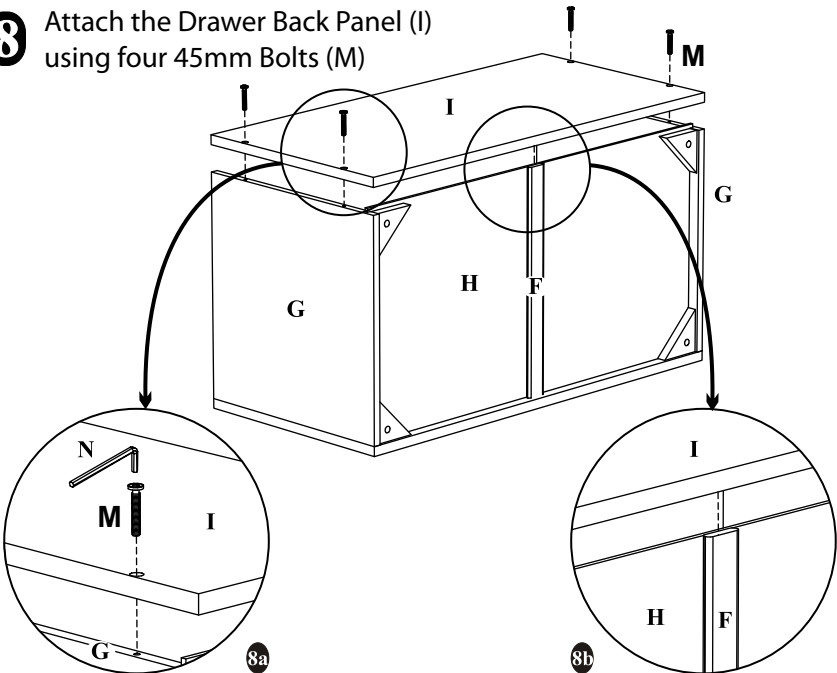
Slide the Drawer Bottom Panel (H) into place

7

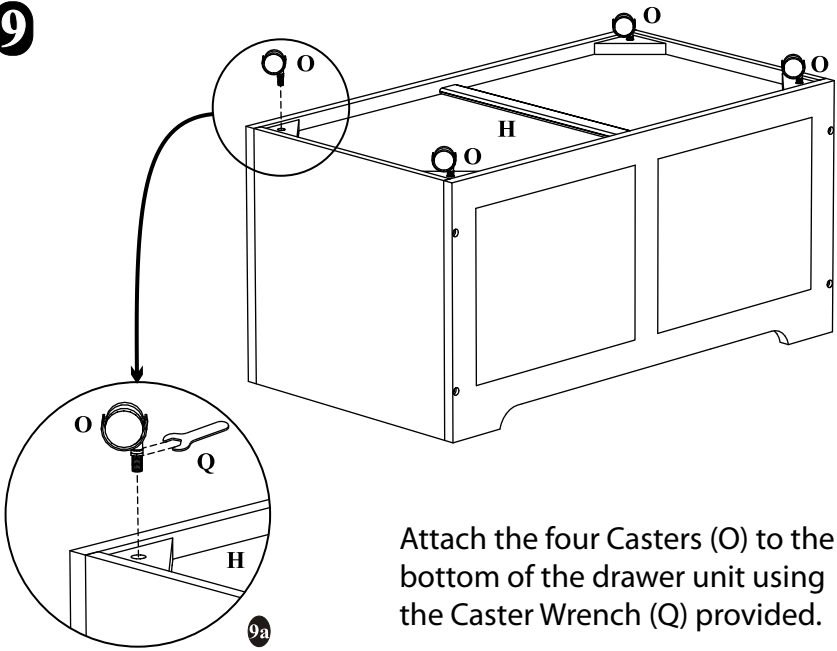


Slide the Drawer Support (F) into the notch on the underside of the Drawer Bottom Panel (H)

8 Attach the Drawer Back Panel (I) using four 45mm Bolts (M)

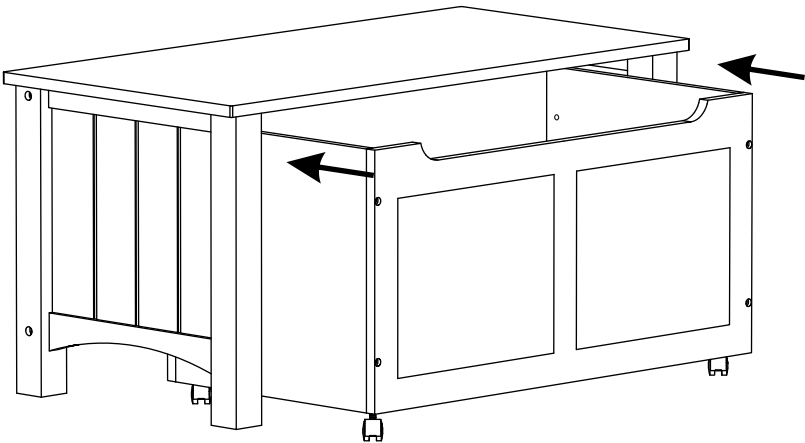


9

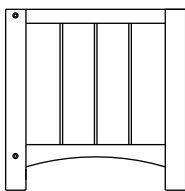


Attach the four Casters (O) to the bottom of the drawer unit using the Caster Wrench (Q) provided.

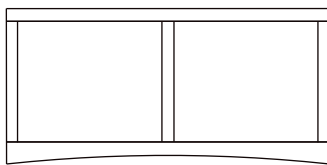
10



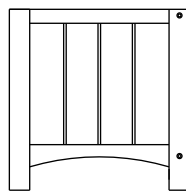
Component Parts



(A) Left Side Panel
(1 pc)



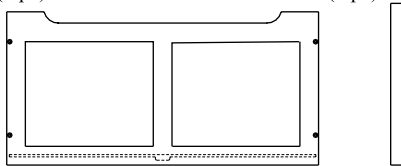
(B) Back Panel
(1 pc)



(C) Right Side Panel
(1 pc)

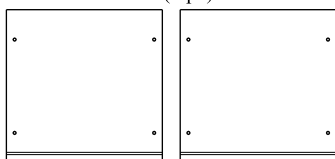


(D) Top Panel
(1 pc)

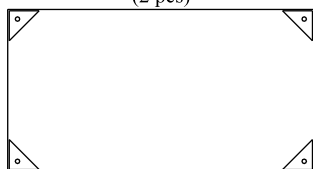


(E) Drawer Front Panel
(1 pc)

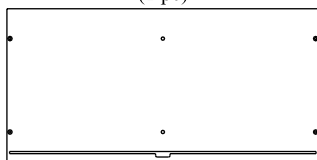
(F) Drawer Support
(1 pc)



(G) Drawer Side Panels
(2 pcs)



(H) Drawer Bottom Panel
(1 pc)



(I) Drawer Back Panel
(1 pc)

Assembly Hardware Set Set #08-32000/08-32001



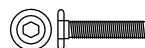
(J) 65mm Bolts
(4 pcs)



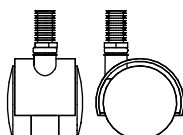
(K) 6mm Barrel Nuts
(8 pcs)



(L) 30mm Bolts
(4 pcs)



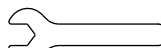
(M) 45mm Bolts
(8 pcs)



(O) 50mm Casters
(4 pcs)



(N) Allen Key
(1 pc)



(Q) Castor Wrench
(1 pc)

today's*tot®

360 Stewart Road
Wilkes-Barre, PA 18706
www.BabyAge.com
1-800-BabyAge

Product Packaging Information

Model #: _____

Color: _____

Shipment Ref. #: _____

Packdate: _____

MADE IN CHINA