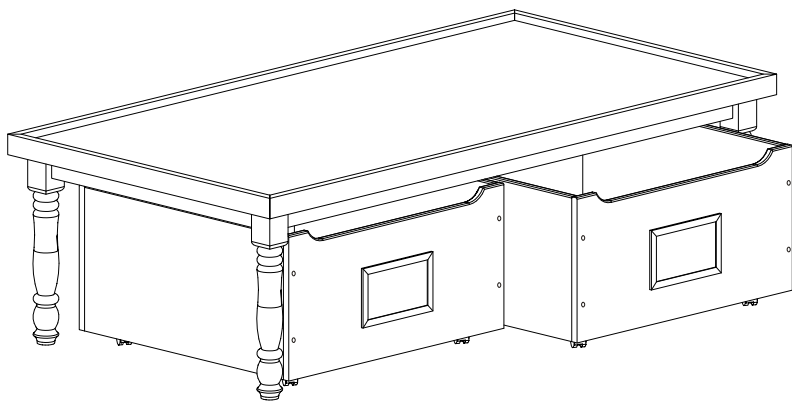


today's•tot®

summerside activity table

with 2 drawers

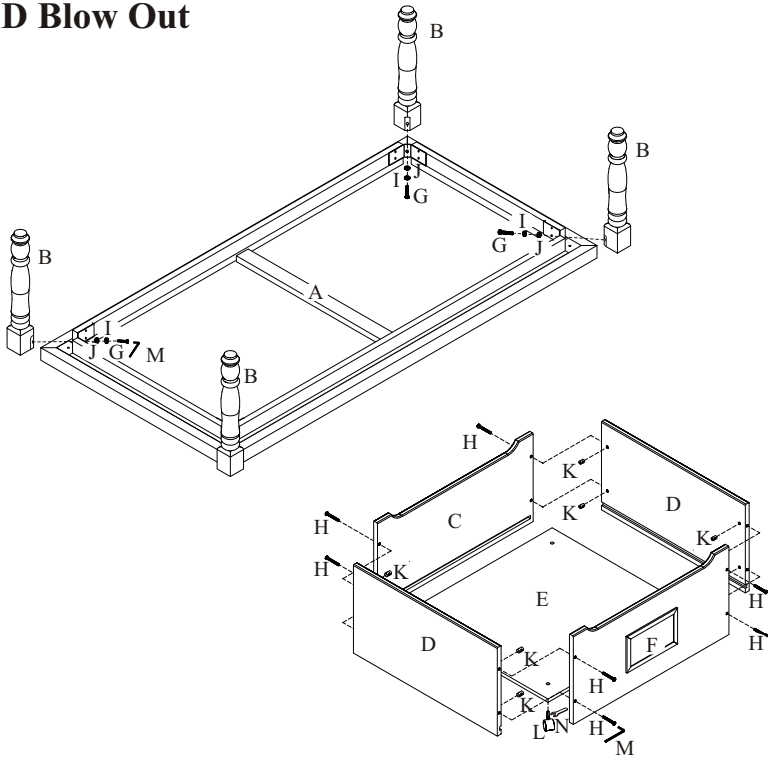
assembly instructions



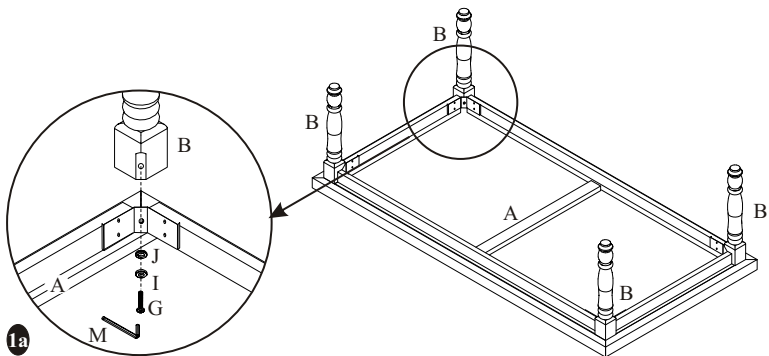
WARNING **CAUTION**

- Do not use this product as a step stool to reach high objects.
- Do not let children stand or play on top of this product as it may move and cause the child to fall and possibly injure themselves.
- Periodically check the safety of your product by making certain all screws, bolts, and washers are tightened securely.
- Wash with mild soap and a damp cloth. Do not use abrasives.

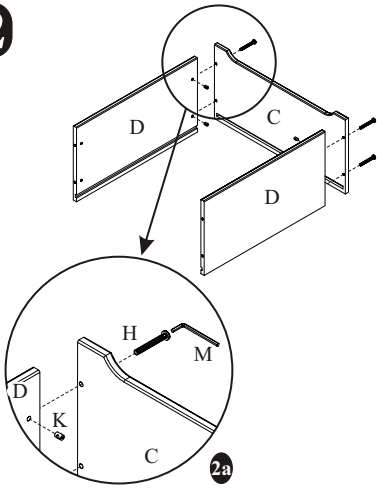
3D Blow Out



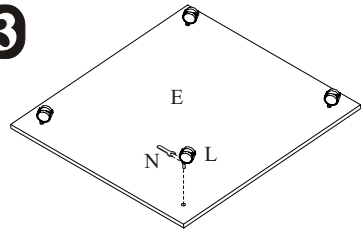
1



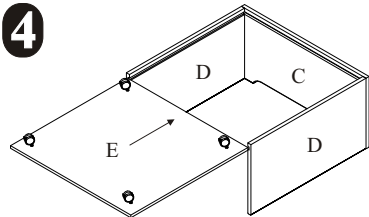
- **To Assemble Table:** Place table upside down on a level surface.
- Connect the **Leg (B)** to the **Table Top (A)** by bolting through bracket on the corner using **12 x 38mm Allen Head Bolt (G)**, **6 x 12mm Washer (I)** and **6 x 10mm Washer (J)**. Tighten bolt using **Allen Key (M)** as shown in **1a**.
- Repeat for other **Legs (B)**.

2

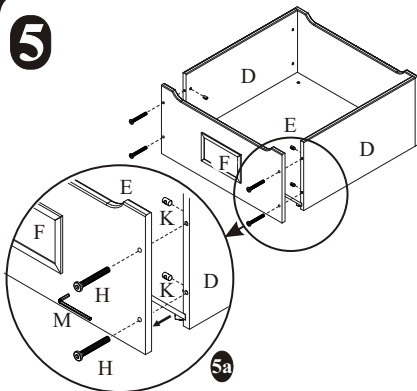
- To assemble Drawer, attach **Side Panels (D)** to **Back Panel (C)** using **12 x 50mm Allen Head Bolts (H)** and **Barrel Nuts (K)**, tighten bolts using **Allen key (M)** as shown in **2a**.

3

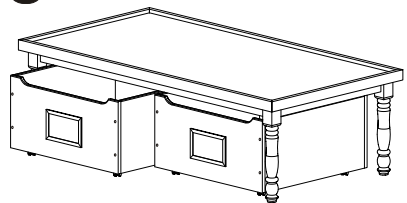
- To insert the **Castors (L)**, place the **Bottom Panel (E)** upside down and insert metal arm into the hole on one of the **Bottom Panel** corners. Once in place, tighten the **Caster** using **Caster Wrench (N)**.
- Repeat for the other three casters.

4

- To assemble the **Bottom Panel (E)** place the **Drawer** upside down and simply slide the **Bottom Panel (E)** with casters facing up, into the tracks provided on the **Side Panels (D)** and **Back Panel (C)**.
- Gently guide it into place.

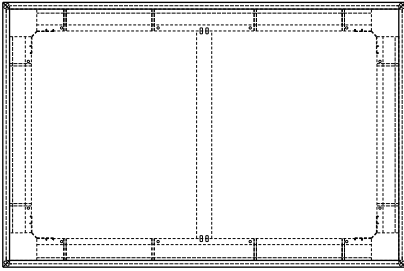
5

- Attach **Side Panels (D)** to **Front Panel (F)** using **12 x 50mm Allen Head Bolts (H)** and **Barrel Nuts (K)**, tighten bolts using **Allen key (M)** as shown in **5a**.
- Make sure the **Bottom Panel (E)** is inserted to the track on the **Front Panel (F)**.
- Repeat these steps for the other **Drawer**.

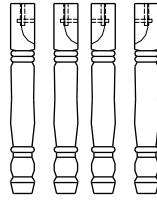
6

- Slide **Drawers** under the **Table** and your **Summerside Activity Table** with **2 Drawers** is ready to use.

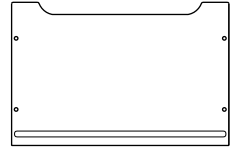
Component Parts



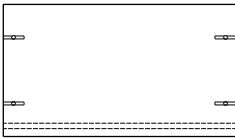
(A) Table Top
(1 pc)



(B) Legs
(4 pcs)



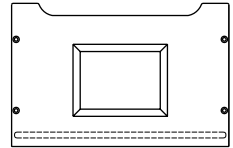
(C) Drawer Back Panel
(2 pcs)



(D) Drawer Side Panels
(4 pcs)

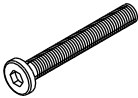


(E) Drawer Bottom Panel
(2 pcs)

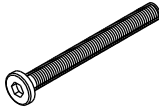


(F) Drawer Front Panel
(2 pcs)

Assembly Hardware Set



(G) 12 x 38mm
Allen Head Bolts
Part #07-05040
(4 pcs)



(H) 12 x 50mm
Allen Head Bolts
Part #07-05041
(16 pcs)



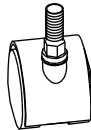
(I) 6 x 12mm
Metal Washers
Part #07-20007
(4 pcs)



(J) 6 x 10mm
Metal Washers
Part #07-20008
(4 pcs)



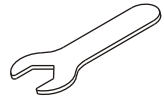
(K) Barrel Nuts
Part #07-98001
(16 pcs)



(L) 45mm Hooded
Plastic Casters w/o locks
Part #07-99011
(8 pcs)



(M) Allen Key
Part #07-00001
(1 pc)



(N) Caster Wrench
Part #07-00004
(1 pc)

today's•tot®

360 Stewart Road
Wilkes-Barre, PA 18706
www.BabyAge.com
1-800-BabyAge

MADE IN CHINA

Print Ref. # AIM-31-1310-AGE