

Important Information:

Before you begin assembly, please read these directions. After product is assembled make sure all bolts and screws are securely tightened.

If a part is missing or broken or if you have any questions please call us right away for customer service. Your complete satisfaction with this product is important to us. **Call 1-800-BABYAGE (222-9243)**

Thank you for purchasing this Today's Tot product. At BabyAge.com, our goal is to provide every customer with an exceptional online shopping experience. We take our customers' concerns seriously, and encourage open communication before, during, and after a purchase is made. We strive to create a Today's Tot product that will be of lasting value to both you and your child. This product was constructed with high quality materials and is held to the highest safety standards.

Understanding that occasionally circumstances may result in a less-than-perfect product, we will make every possible effort to correct the situation.

If you have any type of question or comment regarding your Today's Tot product, I would encourage you to contact us via our web site contact form (<http://www.babyage.com/customer-support.aspx>) or our Toll-Free Customer Service number. 1-800-222-9243

Your complete satisfaction is of the utmost importance to us, and we thank you for the privilege of helping you care for your child.

Best,



Jack Kiefer (President & CEO)

today's•tot®

360 Stewart Road
Wilkes-Barre, PA 18706
www.todaysbaby.com
1-800-222-9243

Product Packaging Information

Model #: _____

Color: _____

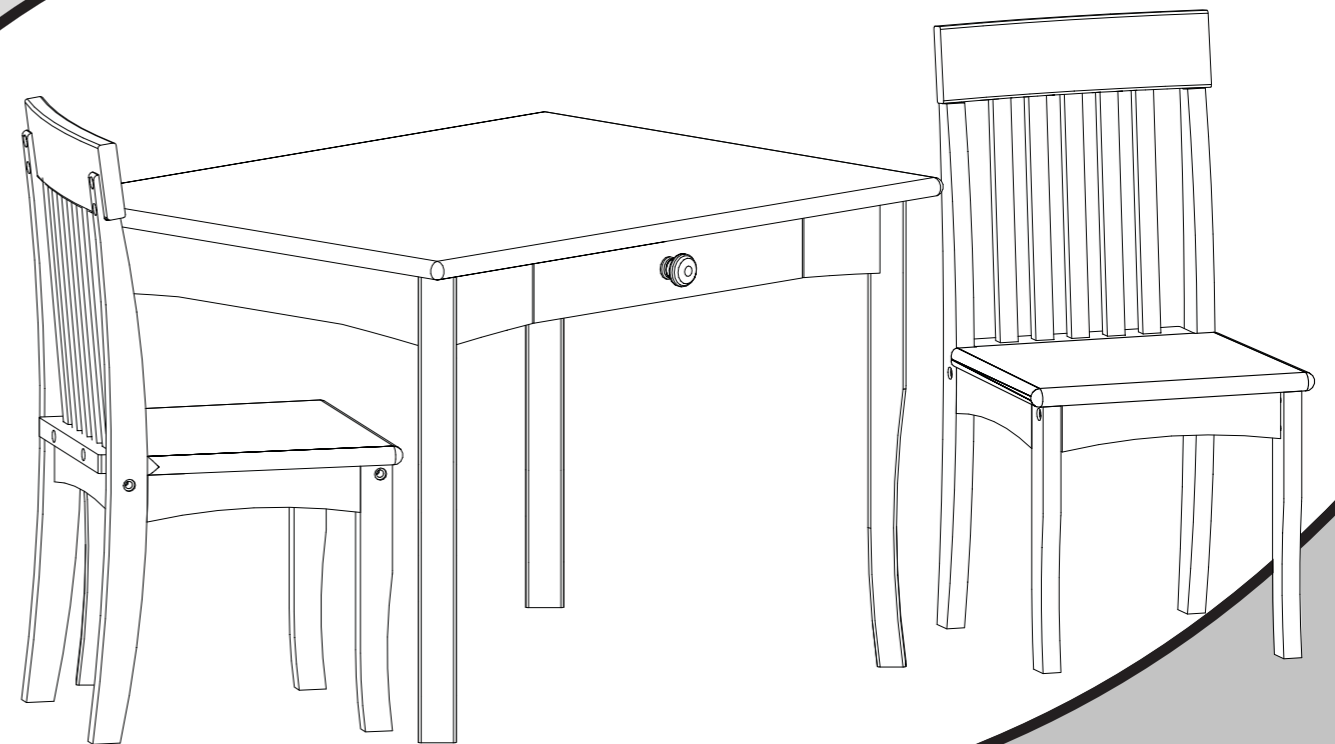
Shipment Ref. #: _____

Date: _____

MADE IN CHINA

This product complies with the applicable Phase 1 emission standards specified in section 93120.2(a), California Code of Regulations.

today's•tot®



WATERLOO TABLE AND 2 CHAIR SET

Important Information:

Before you begin assembly, please read these directions. See next page for important warning statements on this product. After product is assembled make sure all bolts and screws are securely tightened.

This item must be assembled by an adult. Special care must be taken when unpacking and assembling this item. Unassembled parts may be a choking hazard to children 3 years of age and under.

WARNING

FAILURE TO FOLLOW THESE WARNINGS AND ASSEMBLY INSTRUCTIONS COULD RESULT IN SERIOUS INJURY OR DEATH!

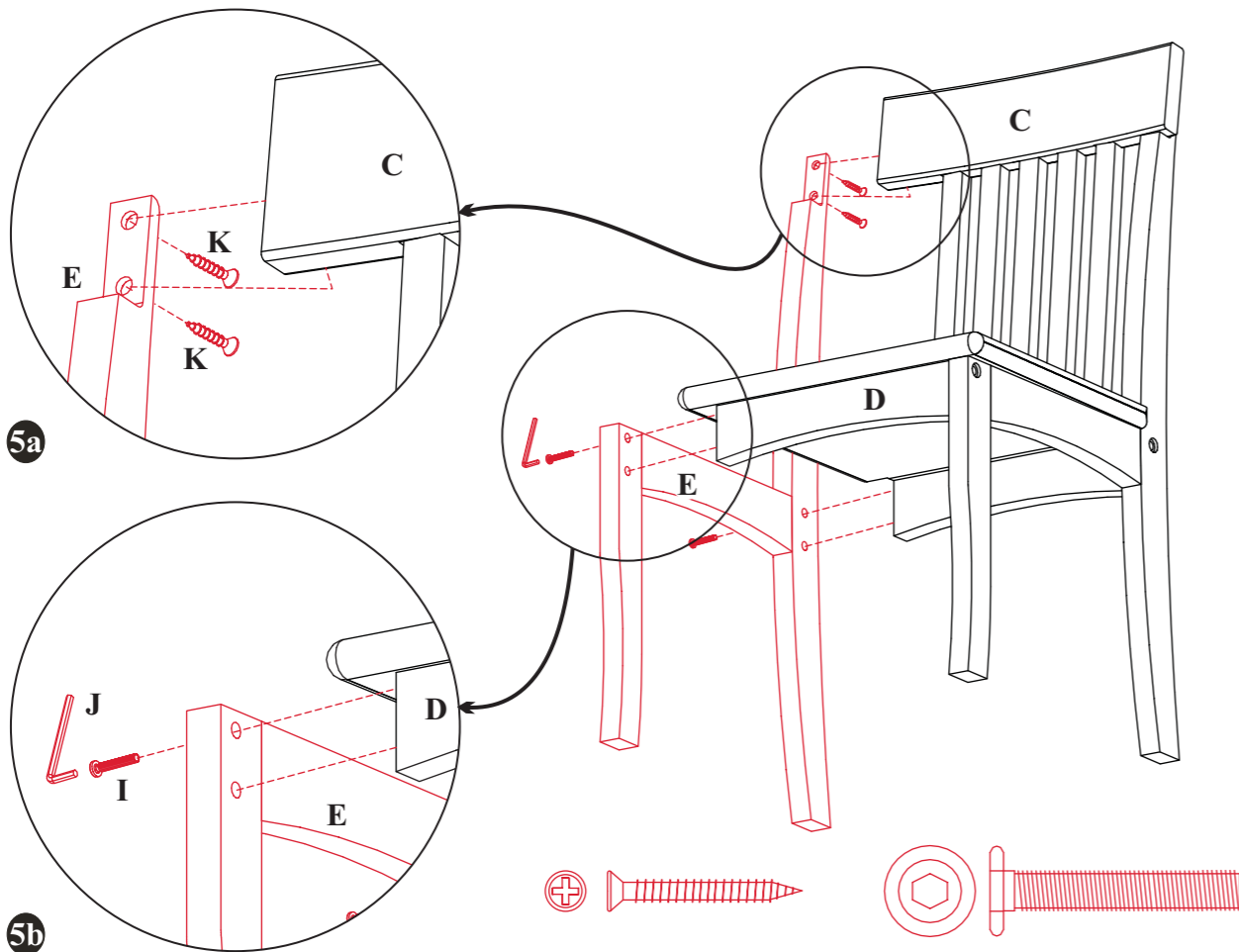
- **READ INSTRUCTIONS BEFORE** assembling bed. **KEEP INSTRUCTIONS FOR FUTURE USE.**
- Do not use this product as a step stool to reach high objects.
- Do not let children stand or play on top of this product as it may move and cause the child to fall and possibly injure themselves.

Maintenance, Cleaning and Storage

- Regularly check to make sure that the bolts are all fastened tightly. Due to regular wear and tear, they can come loose.
- To clean bed, use only mild household soap and warm water. Do not use bleach or detergent. Do not use abrasive cleaners which can scratch the finish of the bed. Use clean soft cloths to wash, rinse and dry. With proper care, the quality finish will last a long time. Wood surfaces may be treated with light application of a good grade of non-toxic furniture polish.

NOTES

5



(K) 25mm Screw (2 pcs)

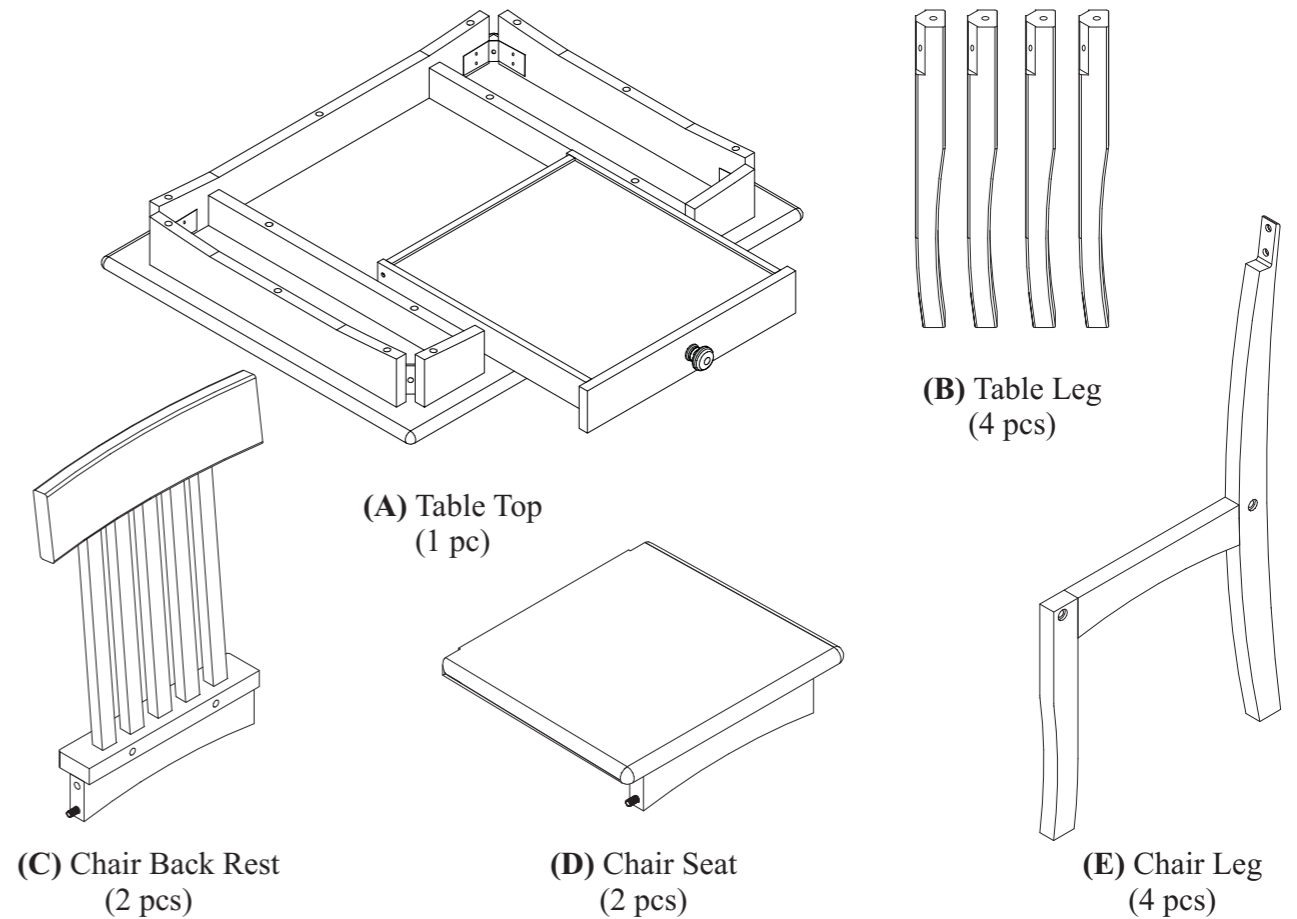
(I) 35mm Allen Head Bolt (2 pcs)

6



REMINDER: Tighten ALL bolts and screws at this time to ensure product is assembled correctly.

PART LIST



(C) Chair Back Rest (2 pcs)

(D) Chair Seat (2 pcs)

(E) Chair Leg (4 pcs)

Assembly Hardware Set Set #08-36007



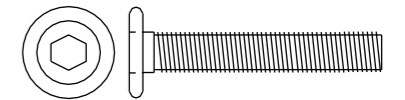
(F) 40mm Screw Part #07-01052 (4 pcs)



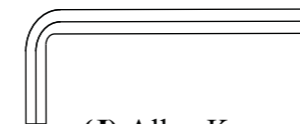
(G) Lock Washer Part #07-20001 (4 pcs)



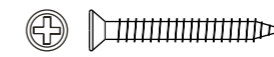
(H) Washer Part #07-20002 (4 pcs)



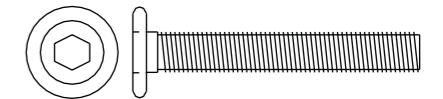
(I) 35mm Allen Head Bolt Part #07-05043 (8 pcs)



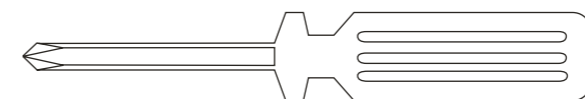
(J) Allen Key Part #07-00001 (1 pc)



(K) 25mm Screw Part #07-01046 (8 pcs)

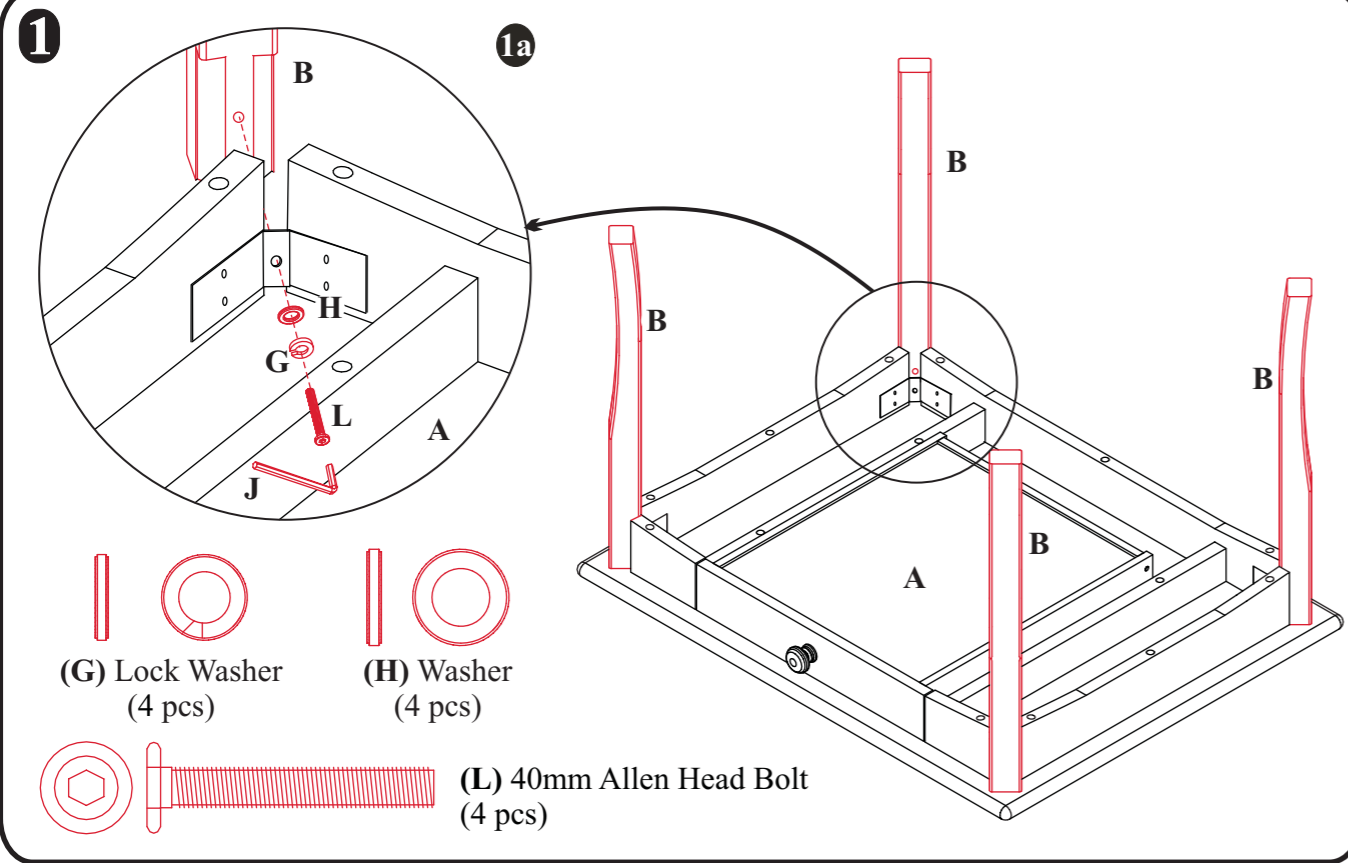


(L) 40mm Allen Head Bolt Part #07-05008 (4 pcs)

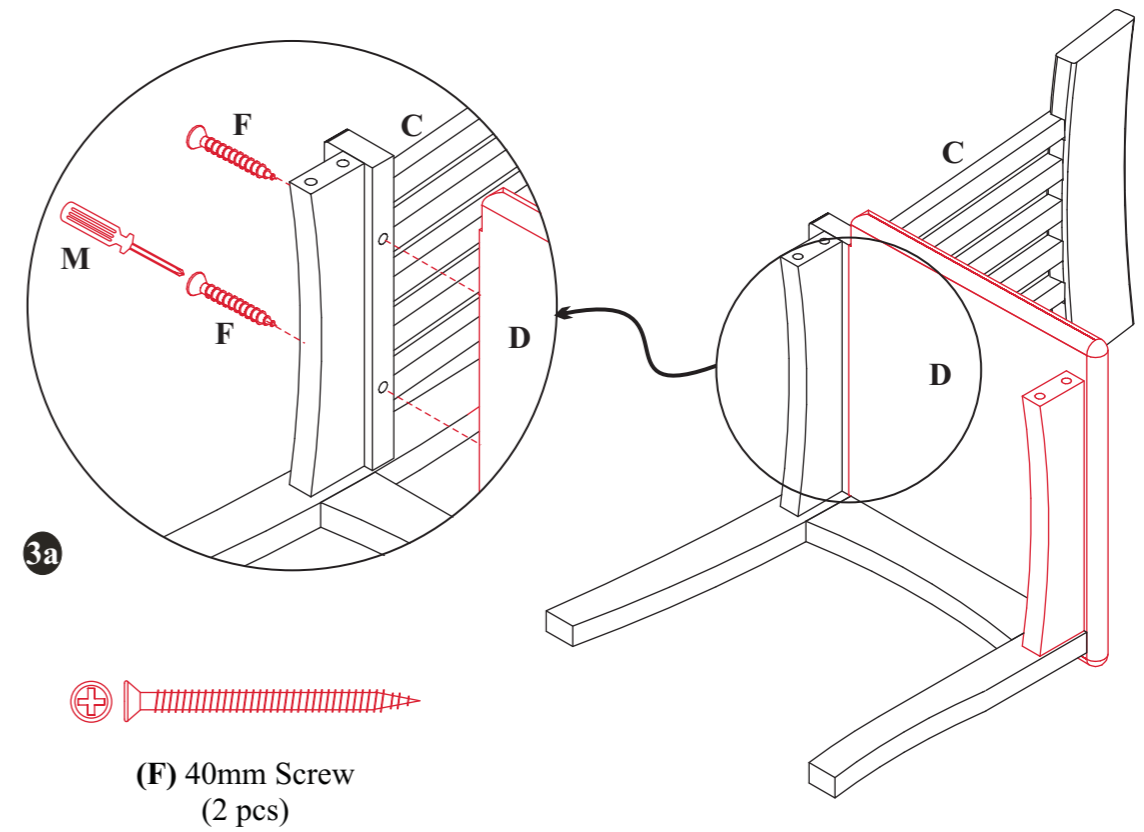


(M) Screw Driver Part #07-00003 (1 pc)

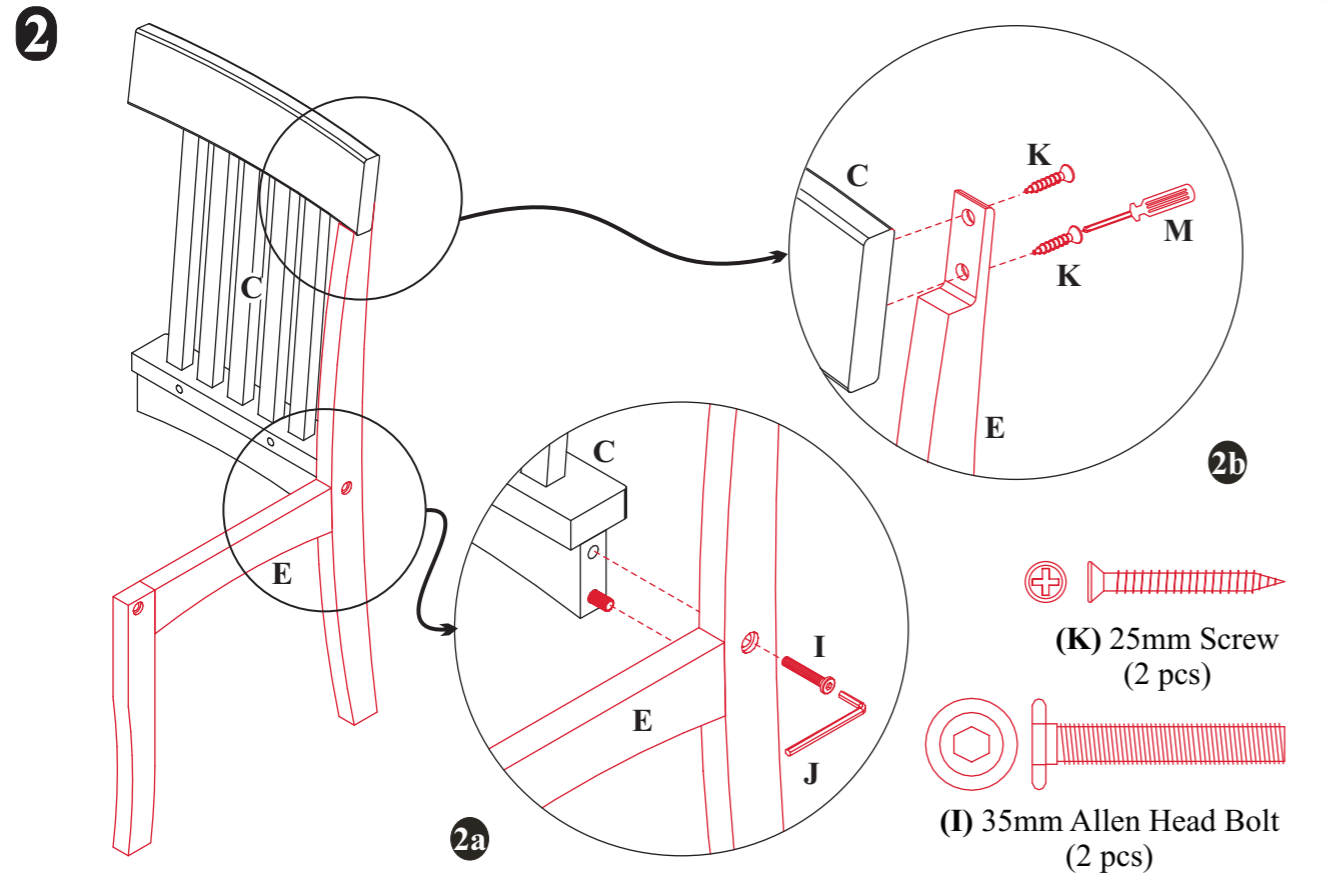
TABLE ASSEMBLY



3



CHAIR ASSEMBLY



4

